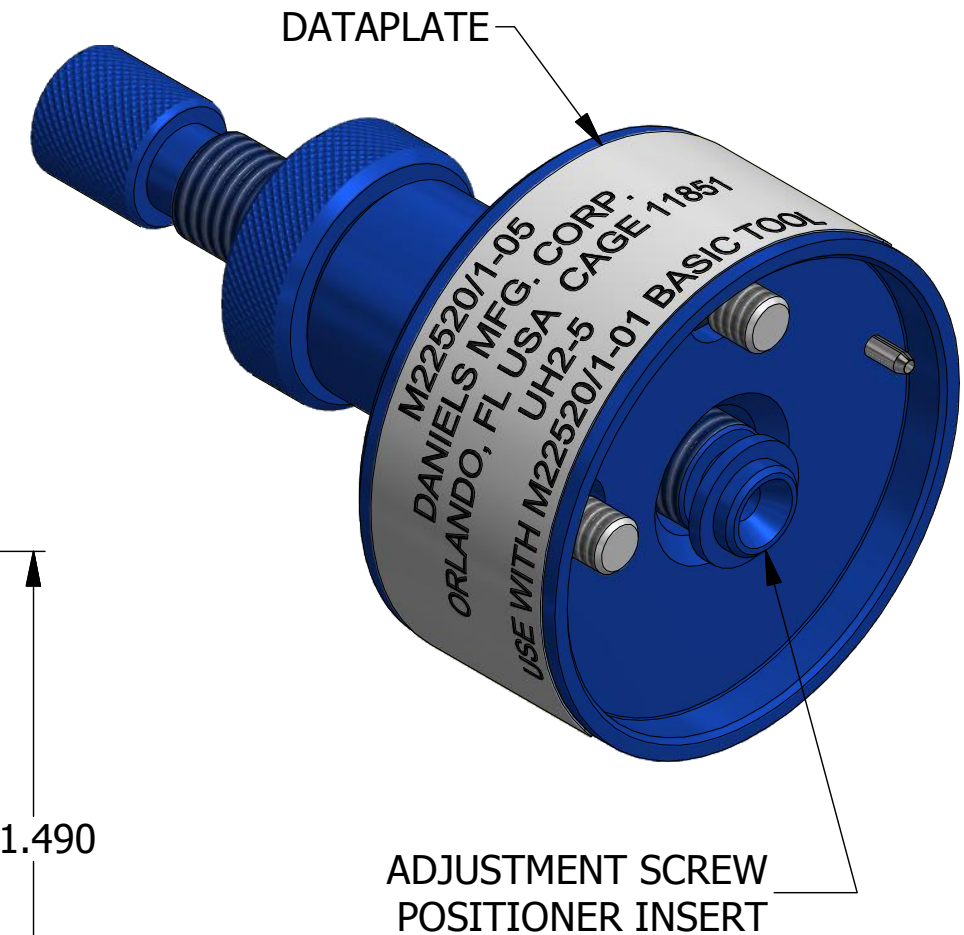
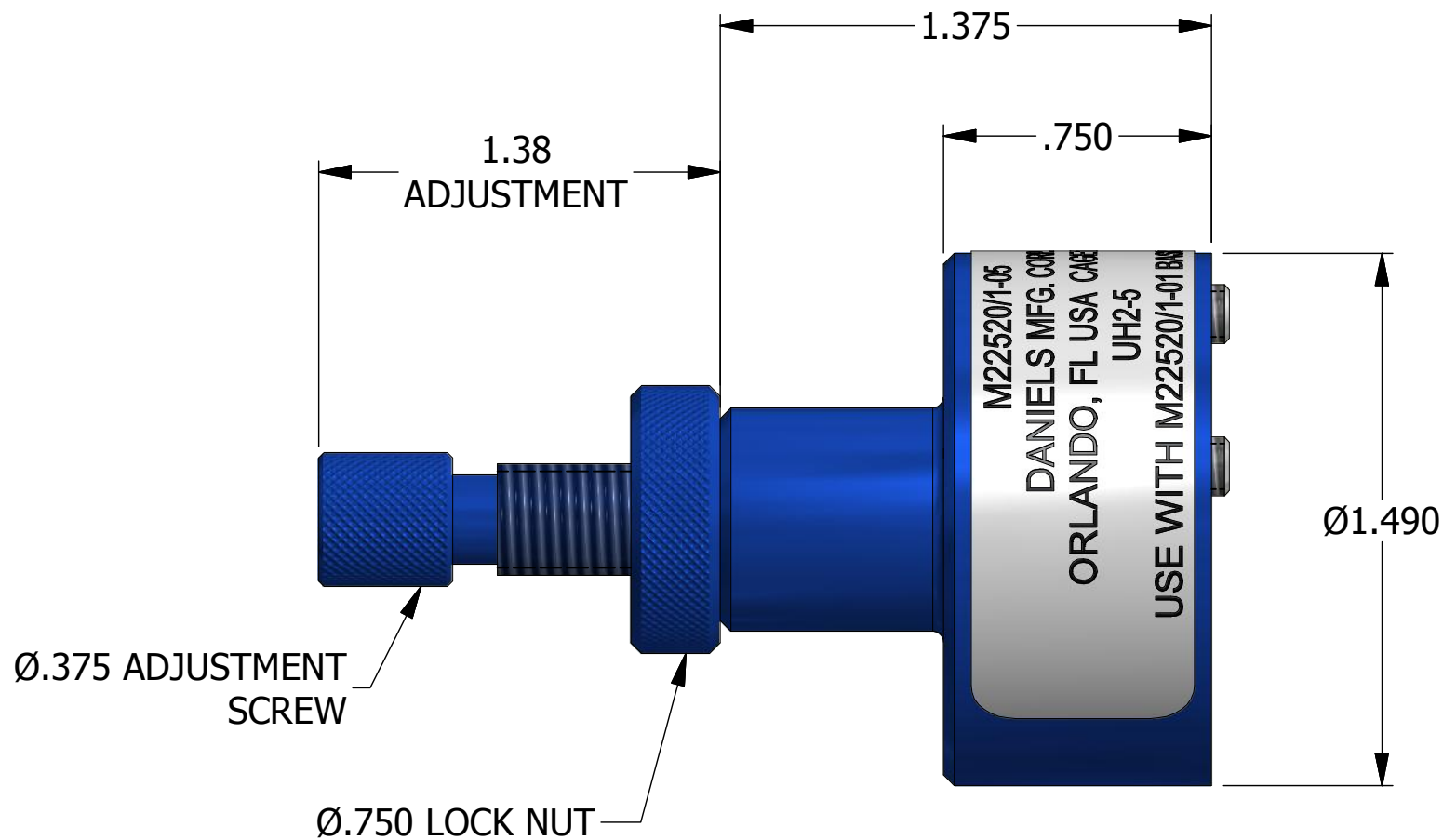
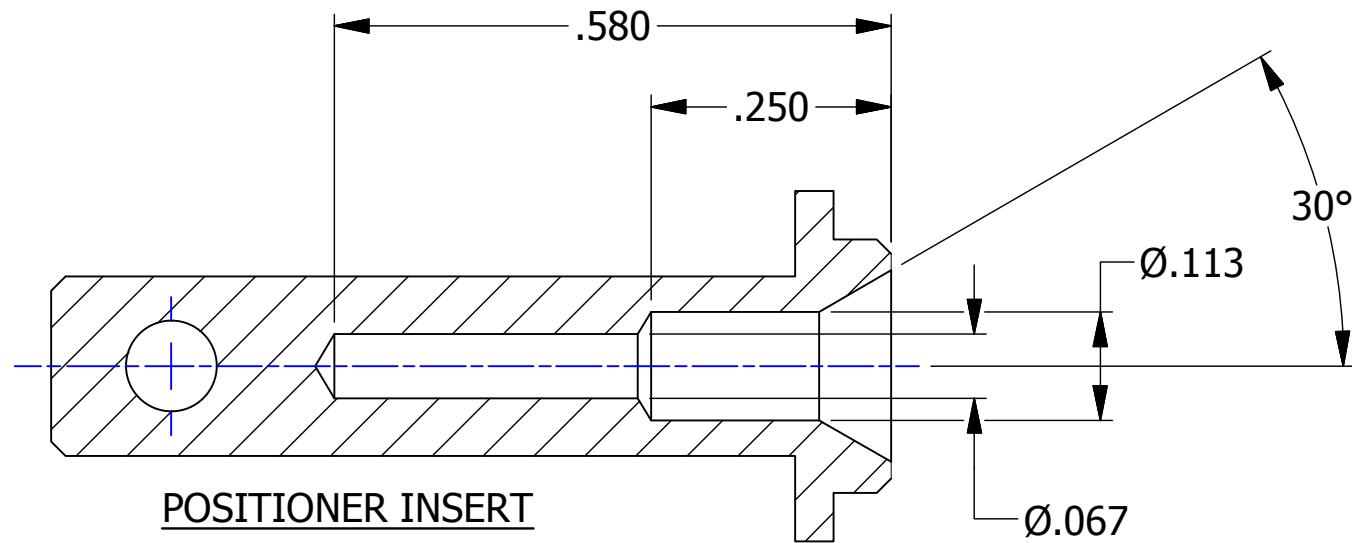


REVISIONS						
REV	ECO NO.	DESCRIPTION	BY	DATE	APP'D BY	DATE
1		ORIGINAL RELEASE	J. SRAITON	6/24/1991	PD	6/24/1991
2		ADDED INSERT DIMENSIONS	AAM	2/16/2000	RRR	2/16/2000
3		REMOVED LOCATION HOLE	AAM	3/26/2002	RRR	3/26/2002
4	23573	UPDATED & REDRAWN	TonyD	2/20/2015		



**UNCONTROLLED DOCUMENT
WILL NOT BE UPDATED**
DIMENSIONS IN INCHES - UNLESS OTHERWISE SPECIFIED

RESTRICTED & CONFIDENTIAL
CONFIDENTIAL PROPERTY OF DANIELS MANUFACTURING CORP. NOT TO BE DISCLOSED TO OTHERS. REPRODUCTION OR USED FOR ANY OTHER PURPOSE EXCEPT AS AUTHORIZED IN WRITING BY DANIELS MANUFACTURING. MUST BE RETURNED TO DANIELS MANUFACTURING CORP. ON COMPLETION OF ORDER OR PURPOSES FOR WHICH LENT.
CREATED FROM AN INVENTOR MODEL.
CHANGES MUST BE REFLECTED IN THE 3D PART
DO NOT SCALE DRAWING

MATERIAL	ITEM	PART NO.	QTY.	DESCRIPTION / REMARKS
N/A	DRN. J. SRAITON CHK'D.	DATE 6/24/1991 DATE		DMC DANIELS MANUFACTURING CORP. ORLANDO, FLORIDA CAGE 11851
HEAT TREAT	NOTE: THIS DRAWING IS AN OUTLINE DRAWING OF THE RESPECTIVE DMC PART NUMBER INDICATED. ACTUAL DMC PART NUMBER IS CAD PART NUMBER WITHOUT THE "-ENV" SUFFIX		TITLE UNIVERSAL HEAD (M22520/1-05) ENVELOPE DRAWING WHERE USED: AF8	
FINISH	B	SCALE 2 : 1	CAD P/N UH2-5-ENV	SHEET 1 OF 1
			DWG. NO. UH2-5	REV. 4