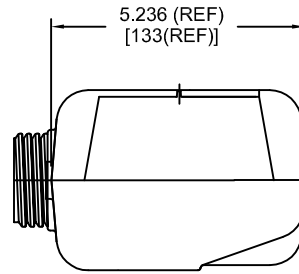
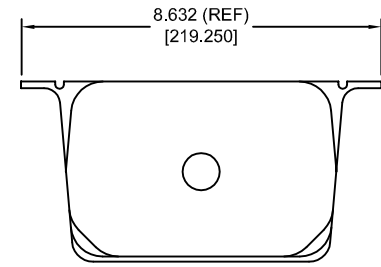


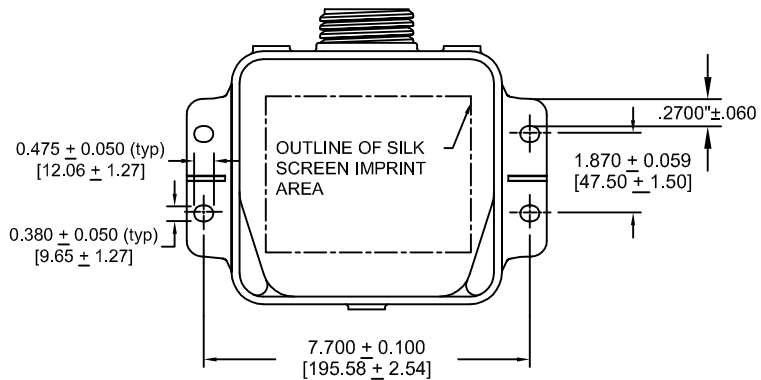
TOP VIEW



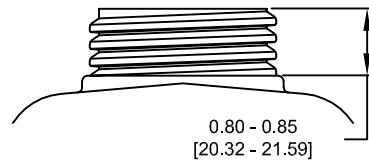
SIDE VIEW



BOTTOM VIEW



FRONT VIEW



NOTES:

RESERVOIR BOTTLE-062200  
 MATERIAL: HIGH DENSITY POLYETHYLENE  
 COLOR: NATURAL  
 NOMINAL WALL: 0.093  
 CAPACITY: 2 QUARTS

Neck thickness on parting line: 0.073"-0.287"  
 Neck thickness 90 deg. from parting line: 0.090"-0.150"  
 Neck O.D. must fit mating cap  
 Neck ID: 1.72" Minimum

ALL DIMENSIONS ARE IN INCHES [MILLIMETERS]

CONFIDENTIAL

X.X	± 0.060	<b>FLAMBEAU SOUTHEAST</b> Member of the Nordic Group of Companies	DESCRIPTION		2 QT TANK WITH THREADED NECK	
X.XX	± 0.030		CUSTOMER		FLUID SYSTEMS	
X.XXX	± 0.010		SIZE	MOLD NO.	DWG. NO.	REV
ANGLES	± 1°		A	4314	062200	B
DRAWN BY	DATE	SCALE	NTS	FPN 062200	CPN N/A	SHEET 1 OF 1
K. Noh	12/10/99					
APPROVED BY	DATE					
R. Nicholson	12/10/99					