



Fulbrook Lane, Sherbourne,
Warwick, CV35 8AR, ENGLAND

Tel: 01926 624800
Fax: 01926 624900

LYNX MICRO SYSTEM

HEADSET CONVERTER (US NATO)

REF: E075-0 07-06-08

INSTALLATION INSTRUCTIONS

The US NATO Headset Converter allows aviation headsets, or helmets, with US NATO jack plugs to be used in aircraft which have Lynx Micro System intercom equipment installed.

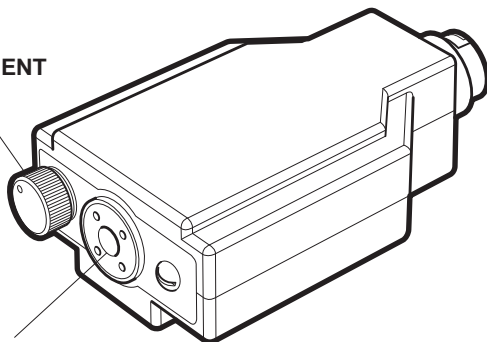
The converter is only intended for use with a Lynx Micro System Radio/Power Interface Unit.

WARNING:

Connecting the Headset Converter to the interface unit switches the interface on.

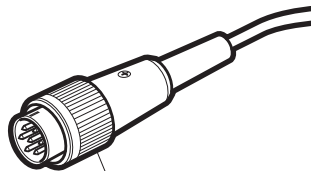
If you wish to leave the converter connected to the interface permanently, you may need to isolate the power to the interface using a master switch.

HEADSET
VOLUME
ADJUSTMENT

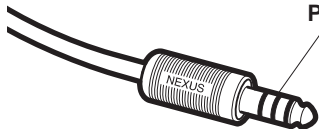


US NATO
JACK SOCKET

RADIO/POWER
INTERFACE UNIT



US NATO
PLUG



NOTE:

The US NATO Headset Converter is factory set to work with headsets or helmets that are fitted with amplified microphones.

This setting can be altered to accommodate either non amplified Electret or non amplified Dynamic microphones (See configuration instruction sheet).

IMPORTANT

READ THIS INFORMATION CAREFULLY BEFORE
ATTEMPTING TO USE THIS ITEM OF EQUIPMENT