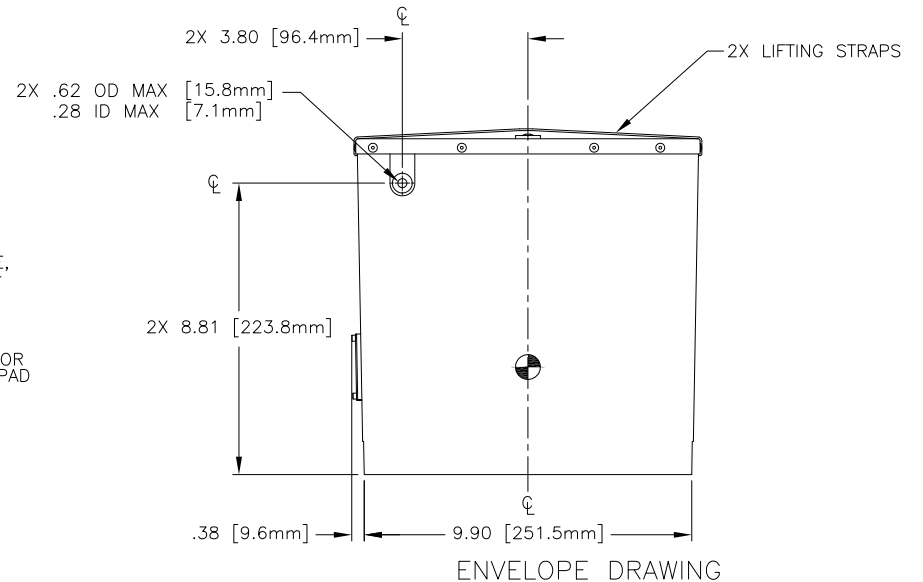
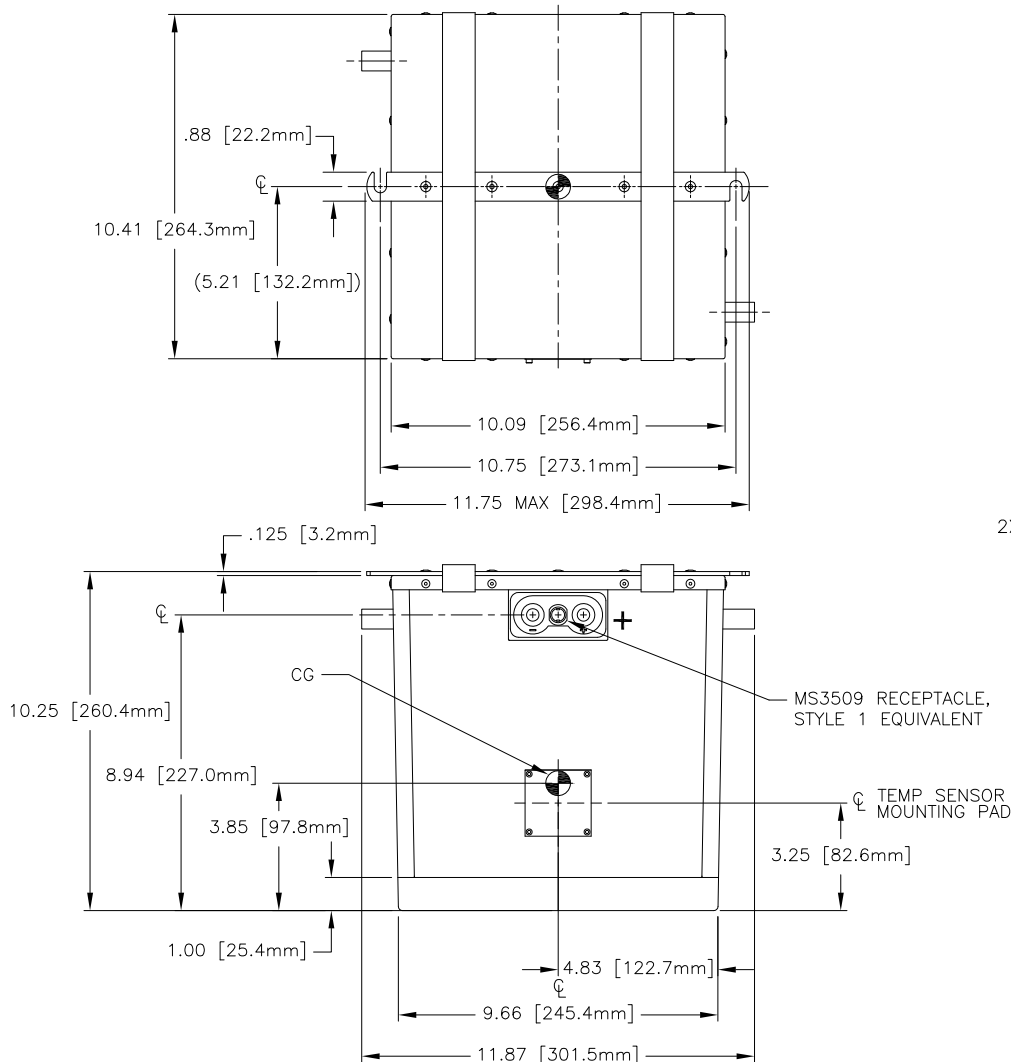


NOTES: UNLESS OTHERWISE SPECIFIED

1. MANUFACTURED AND INSPECTED IAW AS9100 QUALITY SYSTEM REQUIREMENTS.
2. ABBREVIATION USED IN TITLE IS: VALVE REGULATED SEALED LEAD ACID (VRLA).
3. "L" SUFFIX DENOTES A "FIRE RESISTANT" EXTERNAL CONTAINER CONSTRUCTED OF 5052 ALUMINUM ALLOY. "LS" SUFFIX DENOTES A "FIRE PROOF" EXTERNAL CONTAINER CONSTRUCTED OF STAINLESS STEEL.
4. SEE DRAWING NUMBER CB-00224 AND PROCEDURE P-1000 FOR ASSEMBLY AND TEST INSTRUCTIONS. PROCEDURES AND ASSEMBLY DRAWINGS ARE FOR INTERNAL USE ONLY.
5. BATTERIES ARE RATED IAW INTERNATIONAL ELECTROTECHNICAL COMMISSION STANDARD 60952-1 AND RTCA STANDARD D0-293A, UNLESS OTHERWISE NOTED.
6. DIMENSIONS ARE INCH [MILLIMETER].
7. BATTERY MAY BE FITTED WITH CONCORDE TS-XX SERIES TEMPERATURE SENSOR.

REVISIONS			
REV	DESCRIPTION	DATE	APPROVED
A	UPDATED POWER RATINGS AND WEIGHT, D0-293A WAS D0-293	3/21/14	JBT

PART NUMBER	RG-380E/53L	RG-380E/53LS
MAXIMUM WEIGHT	96.0 LBS [43.6 KG]	98.0 LBS [44.5 KG]
RATED CAPACITY, C ₁	53 AH	
POWER RATING AT 23°C	lpp 1650, lpr 1200	
POWER RATING AT -18°C	lpp 1325, lpr 1000	
POWER RATING AT -30°C	lpp 1125, lpr 800	



QTY REQD	CAGE CODE	PART OR IDENTIFYING NO.	NOMENCLATURE OR DESCRIPTION	MATERIAL SPECIFICATION	ITEM NO.
PARTS LIST					
UNLESS OTHERWISE SPECIFIED DIMENSIONS ARE IN INCHES TOLERANCES ARE: FRACTIONS DECIMALS ANGLES ± 1/32 .XX ± .06 ± 1° .XXX ± .030			CONTRACT NO. CONCORDE BATTERY CORPORATION 2009 SAN BERNARDINO RD, W. COVINA, CA 91790		
APPROVALS		DATE	TITLE		
DRAWN	M. AULBACH	9/13/11	BATTERY, VRLA, 24 VOLT, RG-380E/53L(S) SERIES		
TREATMENT	NONE	CHECKED	NS	9/22/11	SIZE
FINISH	NONE	APPROVED	JBT	9/28/11	CAGE CODE
SIMILAR TO	ACT WT	ISSUED	AT	3/21/14	DWG NO. 63017
	DALC WT				SCALE NONE
					SHEET 1 OF 1