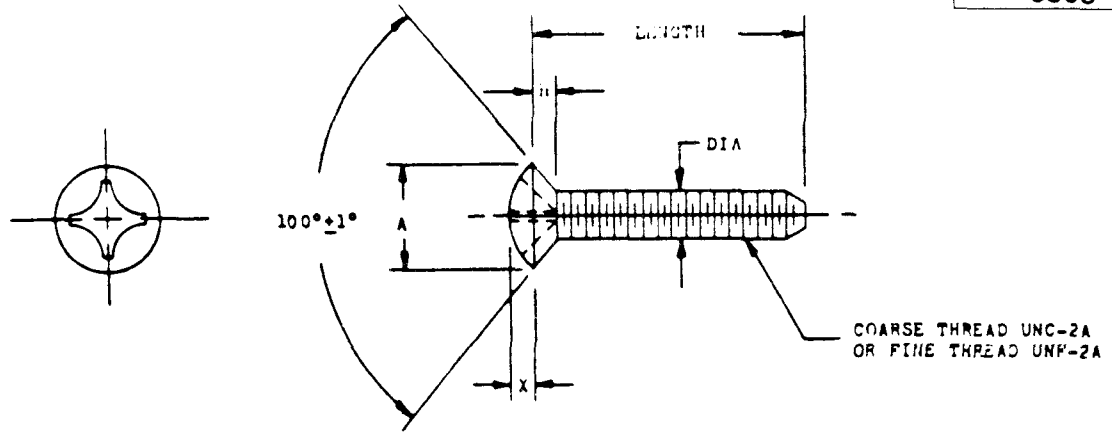




AEROSPACE INDUSTRIES ASSOCIATION OF AMERICA, INC. 1250 EYE STREET, N.W. WASHINGTON, D.C. 20005



SIZE	4	6	8	10	1/4	5/16	3/8
NOV. DIA.	.112	.138	.164	.190	.250	.312	.375
A DIA (PEP)	.216	.268	.320	.372	.492	.618	.742
H	.044 ^{+0.004} _{-.005}	.055 ^{+0.005} _{-.006}	.066 ^{+0.006} _{-.007}	.077 ^{+0.006} _{-.007}	.102 ^{+0.008} _{-.008}	.129 ^{+0.009} _{-.010}	.154 ^{+0.011} _{-.011}
X	.033 ^{+0.004} _{-.004}	.040 ^{+0.004} _{-.004}	.048 ^{+0.005} _{-.005}	.055 ^{+0.005} _{-.005}	.072 ^{+0.006} _{-.006}	.090 ^{+0.007} _{-.007}	.109 ^{+0.009} _{-.009}

DASH NUMBERS

LENGTH	#4-40	#6-32	#8-32	#10-32	1/4-28	5/16-24	3/8-24
3/16	440-3	632-3					
1/4	440-4	632-4	832-4	1032-4			
5/16	440-5	632-5	832-5	1032-5			
3/8	440-6	632-6	832-6	1032-6	428-6		
7/16	440-7	632-7	832-7	1032-7	428-7		
1/2	440-8	632-8	832-8	1032-8	428-8	518-8	616-8
5/8	440-10	632-10	832-10	1032-10	428-10	518-10	616-10
3/4	440-12	632-12	832-12	1032-12	428-12	518-12	616-12
7/8	440-14	632-14	832-14	1032-14	428-14	518-14	616-14
1	440-16	632-16	832-16	1032-16	428-16	518-16	616-16
1 1/8	440-18	632-18	832-18	1032-18	428-18	518-18	616-18
1 1/4	440-20	632-20	832-20	1032-20	428-20	518-20	616-20
1 3/8				1032-22	428-22		
1 1/2	440-24	632-24	832-24	1032-24	428-24	518-24	616-24
1 5/8				1032-26	428-26		
1 3/4		632-28	832-28	1032-28	428-28	518-28	616-28
1 7/8				1032-30	428-30		
2		632-32	832-32	1032-32	428-32	518-32	616-32
2 1/4				1032-36	428-36		
2 1/2		632-40	832-40	1032-40	428-40	518-40	616-40
2 3/4				1032-44	428-44		
3			832-48	1032-48	428-48	518-48	616-48

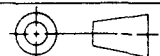
MATERIAL: STEEL
 FINISH: CADMIUM PLATE OR CHROMIUM PLATE
 ADD "P" AFTER LAST DASH NUMBER FOR CHROMIUM PLATED SCREW (NICKEL PLATE OPTIONAL).
 EXAMPLE OF PART NUMBER: NAS387-440-8 = #4 CADMIUM PLATED SCREW 1/2 INCH LONG
 NAS387-440-8P = #4 CHROMIUM PLATED SCREW 1/2 INCH LONG
 RECESS SHALL BE IN ACCORDANCE WITH MS9006.
 REMOVE ALL BURRS. DIMENSIONS IN INCHES.

1 EDITORIALY UPDATED

THIS DRAWING SUPERSEDES ALL ANTECEDENT DRAWINGS FOR THE SAME PRODUCT AND SHALL BECOME EFFECTIVE NO LATER THAN SIX MONTHS FROM THE LAST DATE OF APPROVAL SHOWN HEREON

CUSTODIAN NATIONAL AEROSPACE STANDARDS COMMITTEE

THIRD ANGLE PROJECTION



PROCUREMENT SPECIFICATION

TITLE

CLASSIFICATION STANDARD PART

SCREW-100° OVAL RECESSED HEAD MACH. (COARSE & FINE THREAD)

NAS 387

REAFFIRMED JUNE 30, 1992

15 Jan. 1964 REVISION

8/47

APPROVAL DATE