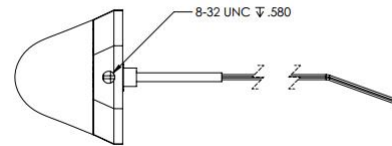
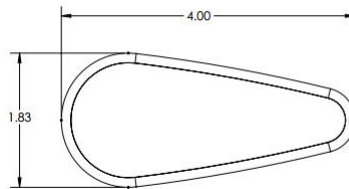
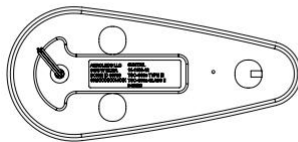
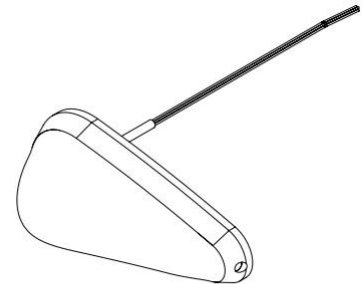
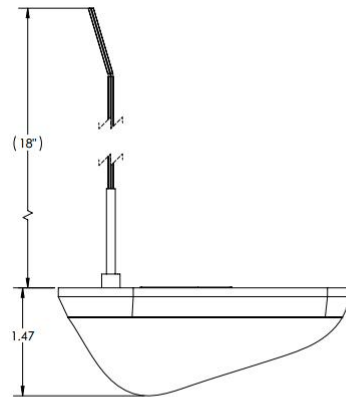




Product Datasheet
Pulsar NSP Nav/Position/Strobe Light
01-1280-C-12-(L/R) red and green



Voltage: 9-18VDC
 Position Light Current: 0.8A at 14V combined
 Strobe Peak Current: 10A at 14V for 0.19 seconds combined
 Power: 52 Watts Average combined
 Strobe Power Supply: Built In
 Strobe Synchronization: Built In
 Thermal Protection: Built In
 Nav/Position Light: >100 candela
 Strobe: >400 effective candela
 LED Count: 48 combined

Length: 4"
 Width: 1.9"
 Height: 1.5"
 Weight: 6.6 Oz
 Heat Sink Material: Aluminum/Clear Anodized
 Lens Material: Polycarbonate
 Mounting: Bracket with set screw
 MTBF: >30,000 Hours
 Temperature Range: -55C to +70C

