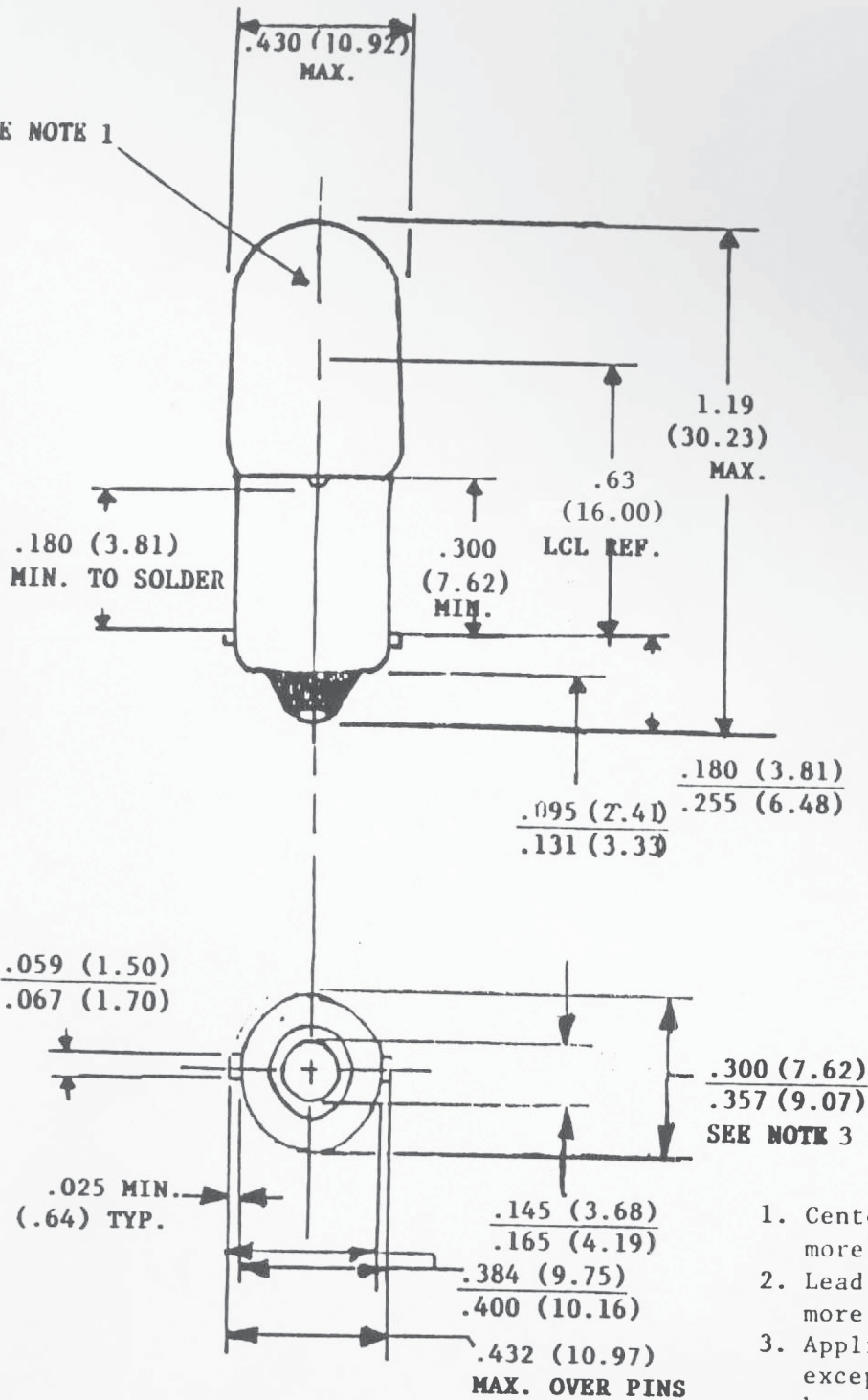
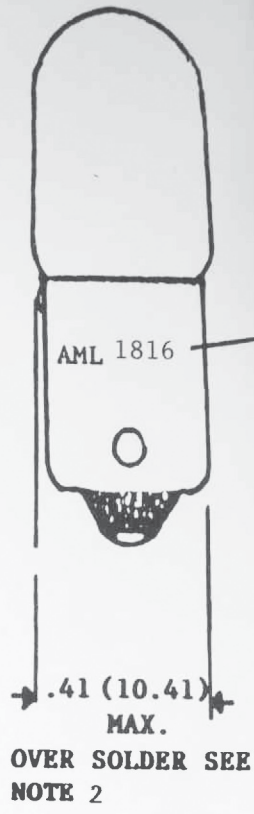


**DIMENSIONAL CHARACTERISTICS -**

SEE NOTE 1



SEE NOTE 4



**NOTES:**

1. Centerline of filament not to deviate more than  $.09(2.29)$  from axis of base.
2. Lead wire may not protrude from solder more than  $.062 (1.57)$ .
3. Applies to all parts of base shell except within  $.125(3.18)$  from bulb and base junction.
4. Parts to be marked in this area with AML and trade number. Metal indentation preferred.