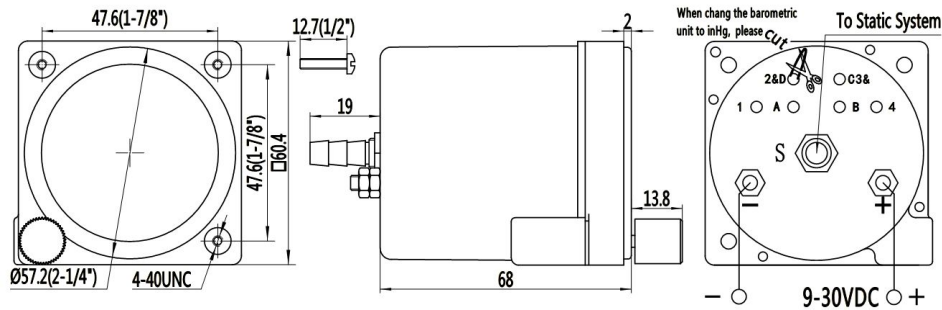


Altimeter Guide



Altimeter scale drawing

Clockwise/ counterclockwise rotation knob to increase/decrease the level of brightness. The altimeter will enter working mode automatically when there is no input from knob for 3 seconds.

Specifications :

Operational Temperature: -20°C~ 50°C Operational Voltage: 9~30VDC
 Operational Current: ≤ 0.1A Altimeter Standards: JJG683
 Weight: ≤ 130g
 Measures: -1,000~3,000 m/-3,200 – 10,000 ft (depends on specific models)
 Barometric units: mb/inHg(variable)
 Reference barometric pressure Adjusting range: 500~1100 mb/ 14.8~32.5 inHg

Setting Instructions :

Adjusting the reference barometric pressure

The four-digit barometric window below can be found at the bottom of the dial :

10 13

The knob at the lower left is usually used to adjust barometric pressure. Clockwise/ counterclockwise rotation knob to increase/decrease the value. Rotate the knob quickly and continuously, clockwise and counterclockwise three reciprocates to set the reference barometric pressure to barometric pressure sensed at the moment.

Changing barometric units

The barometric unit at ex factory state is **mb**. When need to change the unit to **inHg**, please cut the loop on the 2&D hole at the back of the indicator. Note: after cutting the wire, ensure that no touch or conduction between the two leads.

Adjusting LED brightness

Rotate the knob quickly and continuously, counterclockwise and clockwise two reciprocates to activate LED brightness setting.

The display will show 'LEdX' where 'X' indicates the level of brightness. The level of

brightness sorted from highest to lowest as following: LE d 3 LE d 2

LE d 1 LE d 0 .