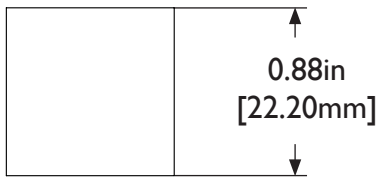
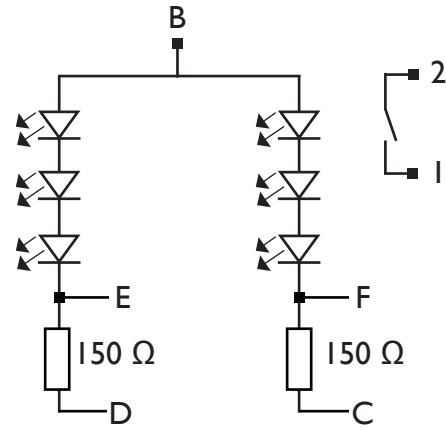


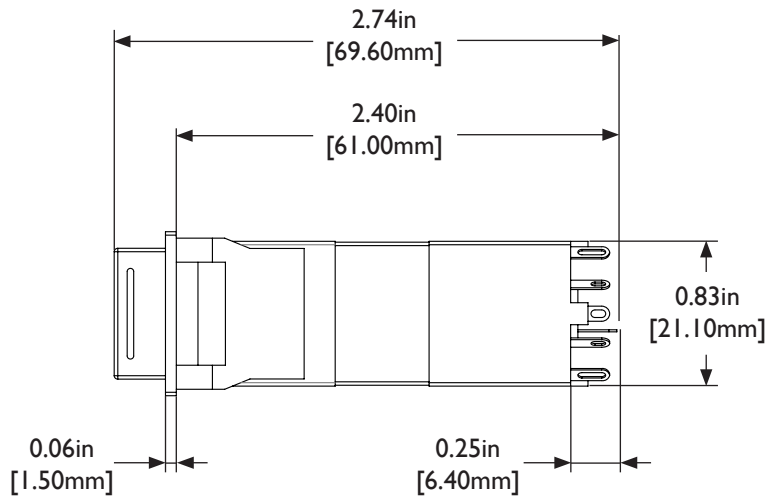
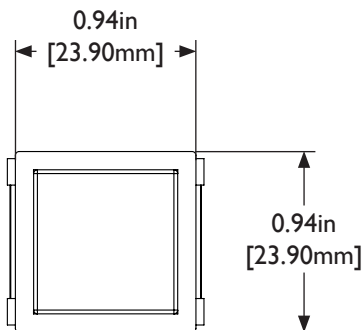
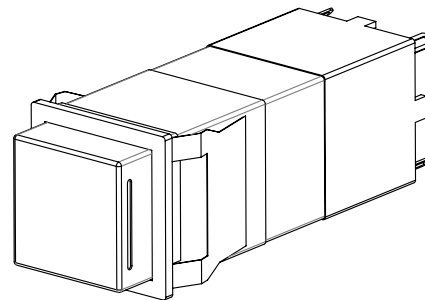
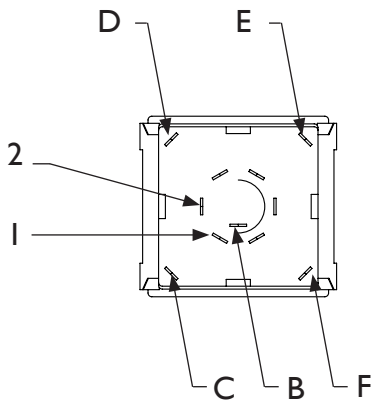
Panel Cut-out
Viewed from front (scale 1:1)



Schematic



Physical Dimensions
Not to scale



Key

PIN	DESC	TO A500/ A502
B	LED +VE	19
C	CAUTION RETURN *	N/A
D	WARNING RETURN *	N/A
E	WARNING CWP RETURN	11
F	CAUTION CWP RETURN	20
1	ACKNOWLEDGE	10
2	GROUND	

* FOR CURRENT LIMITED FOR 12V SYSTEMS

Rendered Image
(scale 1:1)



AH501
Fitting instructions



Weight 1.16oz (33 grams)

www.aerosafetysystems.com