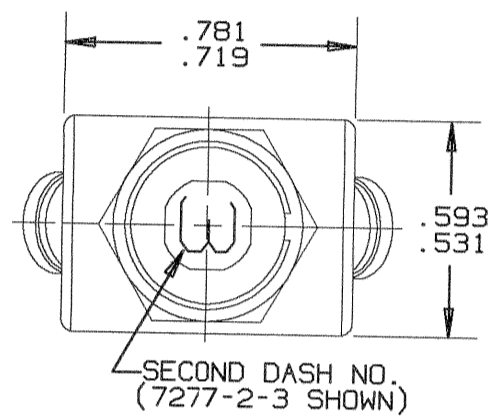
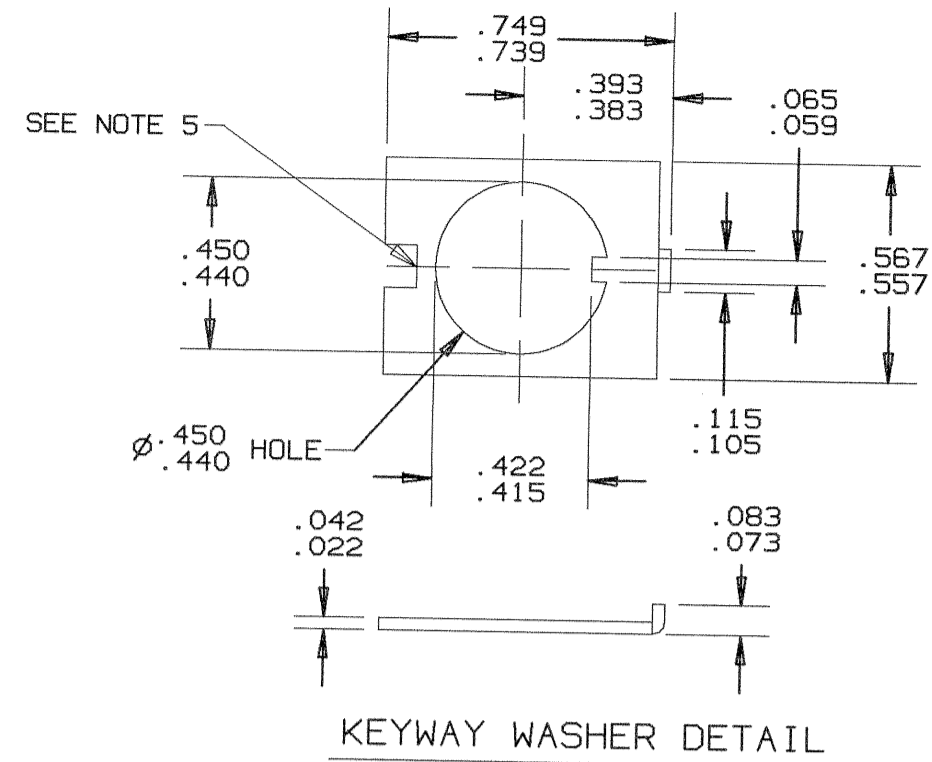
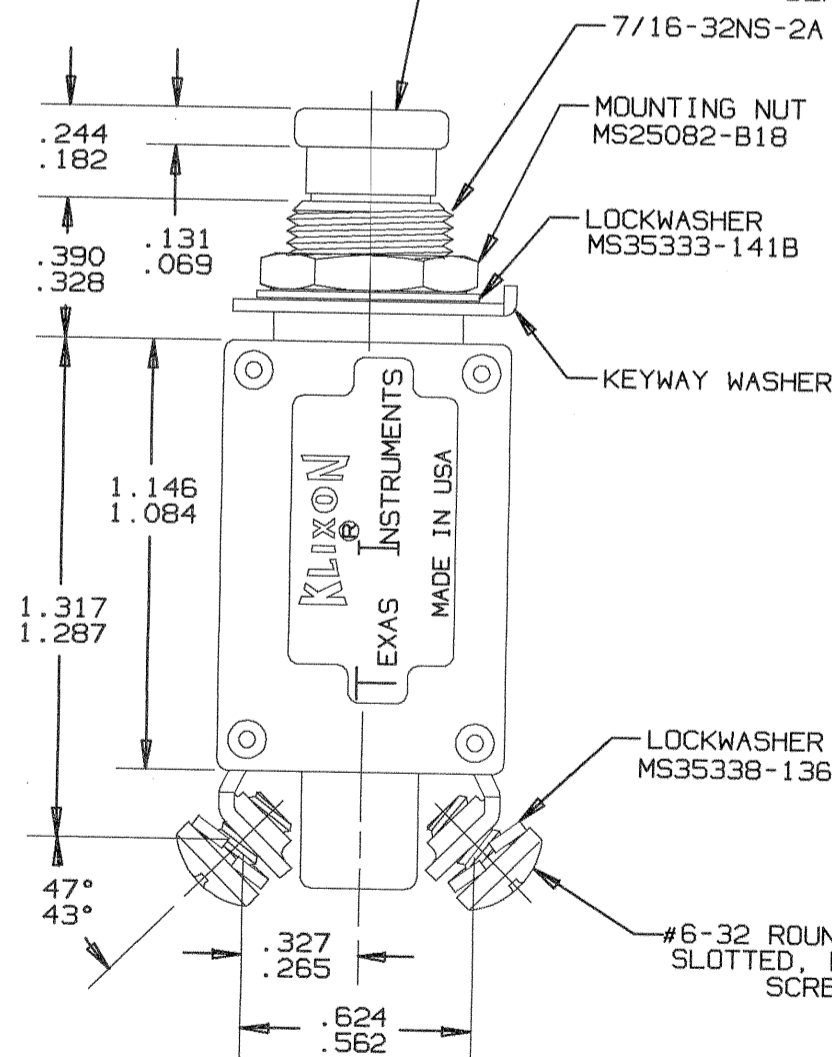
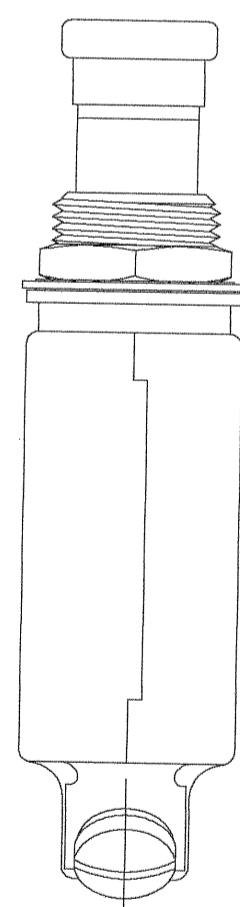


REVISIONS						
ZONE	LTR	DESCRIPTION	PROJ.	DATE	APPROVED	
	K	MOVED CODING TO THE KEYWAY SIDE	CRM49476	JRB	6-28-00	M.J.L.



PUSH PULL BUTTON POSITION WITH CIRCUIT BREAKER CLOSED. WHITE BAND NOT VISIBLE.

PUSH PULL BUTTON POSITION WITH CIRCUIT BREAKER TRIPPED OR OFF



BLACK

WHITE

PRINT PART NO. AS SPECIFIED ON PARTS LIST & DATE CODE SEE NOTE 6

PERFORMANCE CHARACTERISTICS (DETAIL PERFORMANCE PER MIL-C-5809)

OVERLOAD CYCLING	-----	100 CYCLES AT 200% RATING
VIBRATION	-----	10 G'S 50-500 HZ
MECHANICAL SHOCK	-----	35 G'S AT 11.5 MILLISECOND DURATION
ACCELERATION	-----	10 G'S MINIMUM
SAND AND DUST	-----	12 HOURS
CORROSION	-----	SALT SPRAY 50 HOURS
HUMIDITY	-----	10 DAYS
EXPLOSION PROOF	-----	WHILE INTERRUPTING RUPTURE CURRENTS

ENDURANCE:

120 VAC	-----	400 HZ INDUCTIVE	-----	2500 CYCLES
		RESISTIVE	-----	5000 CYCLES
30 VDC	-----	INDUCTIVE	-----	2500 CYCLES
		RESISTIVE	-----	5000 CYCLES
MECHANICAL	-----		-----	5000 CYCLES

CALIBRATION: 1/2 AMP THRU 20 AMP

AMBIENT TEMP.	MIN.ULT.TRIP	MAX.ULT.TRIP	200%	500%	1000%
+25° C	110% RATING	150% RATING	2-35 SEC.	.15-1.7 SEC.	.028-.55 SEC.

PART NO.	AMP RATING	MAXIMUM VOLTAGE DROP	CURRENT INTERRUPTING CAPACITY	
			120 VAC, 400 HZ	28 VDC
7277-2-1/2	1/2	2.00	UNLIMITED	UNLIMITED
7277-2-3/4	3/4	1.45	UNLIMITED	UNLIMITED
7277-2-1	1	1.10	UNLIMITED	UNLIMITED
7277-2-1 1/2	1 1/2	0.75	UNLIMITED	UNLIMITED
7277-2-2	2	0.70	800 AMPS	UNLIMITED
7277-2-2 1/2	2 1/2	0.50	800 AMPS	UNLIMITED
7277-2-3	3	0.33	800 AMPS	UNLIMITED
7277-2-4	4	0.30	800 AMPS	UNLIMITED
7277-2-5	5	0.25	800 AMPS	UNLIMITED
7277-2-7 1/2	7 1/2	0.20	500 AMPS	2000 AMPS
7277-2-10	10	0.15	500 AMPS	2000 AMPS
7277-2-15	15	0.15	500 AMPS	2000 AMPS
7277-2-20	20	0.15	500 AMPS	2000 AMPS

NOTES:

- ALL MOUNTING HARDWARE HAS A DULL BLACK FINISH.
- CIRCUIT BREAKERS ARE SUITABLE FOR MOUNTING IN A 1/8" THICK PANEL OR LESS.
- WEIGHT ACTUAL: 25 GRAMS
- EPOXY SURFACES ARE NON-DIMENSIONED. ENVELOPE DRAWING DIMENSIONS DO NOT APPLY TO THESE PROJECTED EPOXY SURFACES.
- NON FUNCTIONAL NOTCH ON THE BACK OF THE KEYWAY WASHER IS OPTIONAL.
- DATE CODE SPEC: 15088-285.

THIS DWG. SUPERSEDES 7277-2 REV."J" DATED 9-9-97

UNLESS OTHERWISE SPECIFIED DIMENSIONS ARE IN INCHES		DRAWN CHAS FLEURANT	DATE 10-30-91	RS	Q3	P18
TOLERANCE ON FRACTIONS DECIMALS ANGLES		ENGINEER K.B. GASSER	1-14-92	 TEXAS INSTRUMENTS ATTLEBORO, MASSACHUSETTS 02703		
MATERIAL		APPROVED JON PETRIE	12-19-94	 KLIXON CONTROL PRODUCTS DIVISION		
		TITLE 7277-2 TYPE PUSH-PULL TRIP FREE CIRCUIT BREAKER WITH AUX. CIRCUIT ENVELOPE DRAWING				
		SIGNATURES ON FILE. REFER TO ELECTRONIC CHANGE NOTICE.		SIZE C	CODE IDENT NO. 82647	7277-2