



SERVICE PARTS LIST

BULLETIN NO.
54-05-0280

SPECIFY CATALOG NO. AND SERIAL NO. WHEN ORDERING PARTS		REVISED BULLETIN	DATE
M12™ FUEL™ Wet/Dry Vacuum Cleaner			Aug. 2020
CATALOG NO.	0960-20	STARTING SERIAL NO.	L54A
		WIRING INSTRUCTION	

EXAMPLE:
00 0 Component Parts (Small #) Are Included
When Ordering The Assembly (Large #).

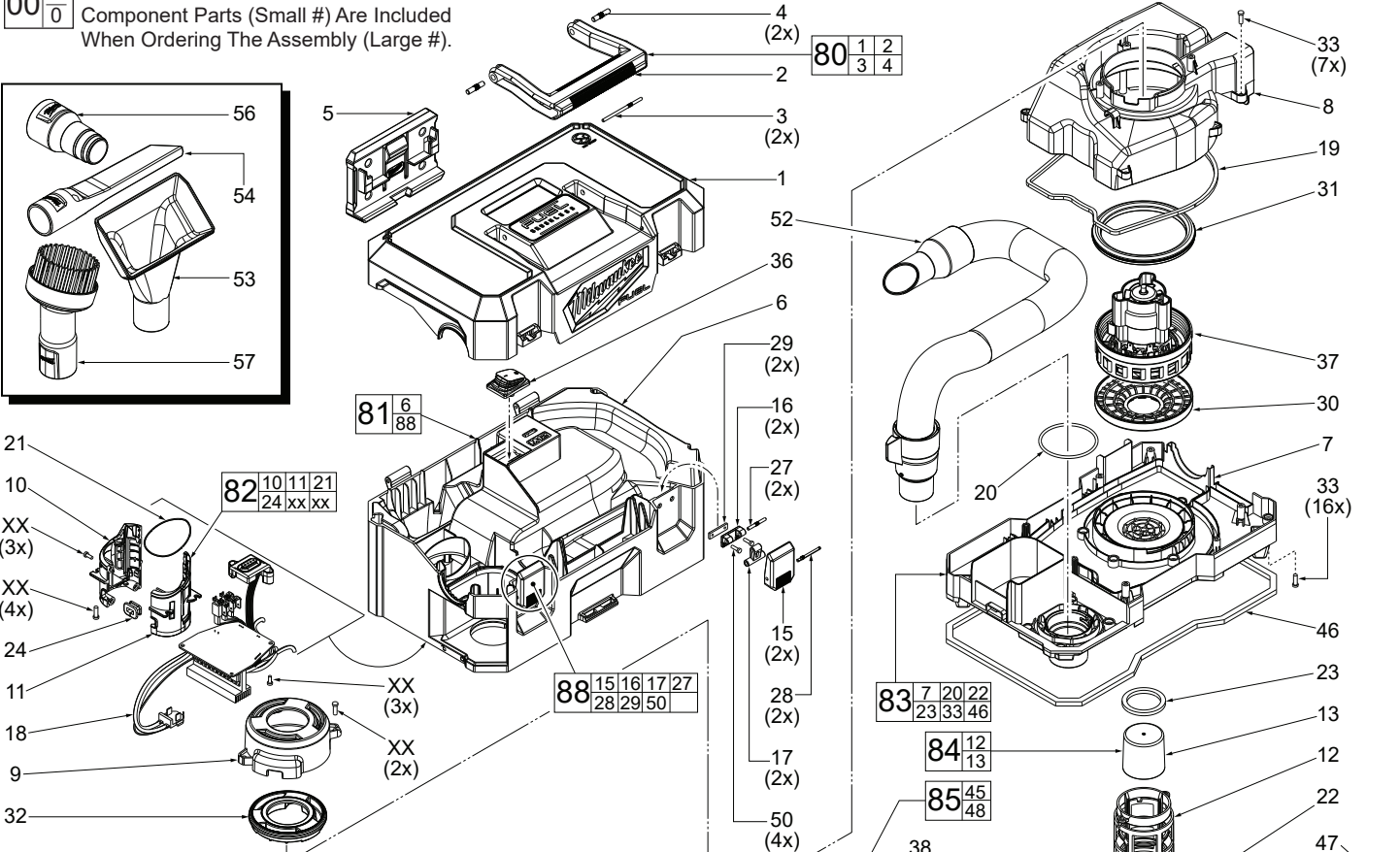
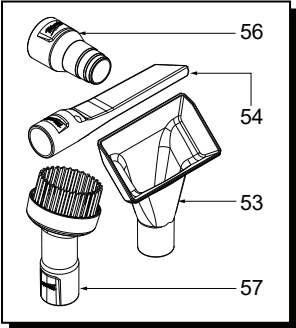


FIG.	PART NO.	DESCRIPTION OF PART	NO. REQ.
1	-----	Top Cover	(1)
2	31-44-0006	Carrying Handle	(1)
3	06-65-0011	Cover Pin	(2)
4	06-65-0013	Handle Pin	(2)
5	42-36-0109	Hanging Bracket	(1)
6	31-01-1001	Middle Frame	(1)
7	43-06-0960	Frame Plate	(1)
8	31-50-0009	Motor Housing	(1)
9	31-15-0131	Motor Housing Cover	(1)
10	-----	Battery Terminal Housing-Left	(1)
11	-----	Battery Terminal Housing-Right	(1)
12	-----	Float Ball Frame	(1)
13	-----	Float Ball	(1)
15	-----	Middle Frame Latch	(2)
16	-----	Upper Lock Plate	(2)
17	-----	Upper Lock	(2)
18	14-20-0960	Electronics Assembly	(1)
19	45-06-0901	Motor Housing Seal	(1)
20	34-40-0008	Main Inlet Seal	(1)
21	45-06-0902	Battery Terminal Housing Seal	(1)
22	45-06-0903	HEPA Filter Seal	(1)
23	45-06-0904	Float Ball Frame Seal	(1)
24	22-90-0090	Wiring Grommet Seal	(1)
27	-----	Short Pin-Upper Lock	(2)
28	-----	Long Pin-Upper Lock	(2)
29	-----	Upper Lock Plate Support	(2)
30	45-06-0906	Motor Lower Seal	(1)
31	45-06-0907	Motor Middle Seal	(1)
32	45-06-0908	Motor Upper Seal	(1)
33	06-82-0231	ST4 x 12mm Pan Hd. Screw	(?)
36	23-66-0068	On-Off Switch	(1)
37	23-30-0960	Motor	(1)
38	49-90-1900	HEPA Filter	(1)
39	-----	Tank	(1)
40	-----	Tank Latch	(2)
41	-----	Lower Lock	(2)
42	-----	Lower Lock Plate	(2)
43	-----	Lower Lock Plate Support	(2)
44	-----	Dust Bag Bracket	(1)
45	-----	Dust Bag Frame	(1)
46	45-06-0909	Tank Seal	(1)
47	-----	Long Pin-Lower Lock	(2)
48	-----	Card Board	(1)
49	-----	Short Pin-Lower Lock	(2)
50	06-82-2311	M3 x 8mm Screw	(8)

FIG.	PART NO.	DESCRIPTION OF PART	NO. REQ.
51	06-82-0960	M3 x 10mm Screw	(6)
52	14-37-0175	Hose Assembly	(1)
53	31-01-0875	Utility Tool	(1)
54	31-01-0855	Crevice Tool	(1)
56	49-90-2018	Hose Adapter	(1)
57	49-90-2017	Round Brush Tool	(1)
80	31-15-0132	Top Cover Service Kit	(1)
81	31-15-0133	Middle Frame Service Kit	(1)
82	14-46-0541	Terminal Housing Service Kit	(1)
83	31-15-0134	Frame Plate Service Kit	(1)
84	42-46-0960	Float Ball/Frame Service Kit	(1)
85	14-46-0542	Dust Bag Frame Service Kit	(1)
86	14-46-0543	Tank Latch Service Kit	(2)
87	31-01-1004	Tank Service Kit	(1)
88	14-46-0544	Middle Frame Latch Service Kit	(2)
	12-20-0903	Service Nameplate (Not Shown)	(1)
	49-90-2015	Wet Only Foam Filter (not Shown)	(1)
	49-90-2016	3 pc. Dust bag (Not Shown)	(1)