



SERVICE PARTS LIST

BULLETIN NO.
54-04-1860

SPECIFY CATALOG NO. AND SERIAL NO. WHEN ORDERING PARTS		REVISED BULLETIN	DATE
M18™ Dual Bay Simultaneous Super Charger			Feb. 2024
CATALOG NO.	48-59-1815	SERIAL NO.	N85A
		WIRING INSTRUCTION See Page 2	

EXAMPLE:

00 0
Component Parts (Small #)
Are Included When Ordering
The Assembly (Large #).

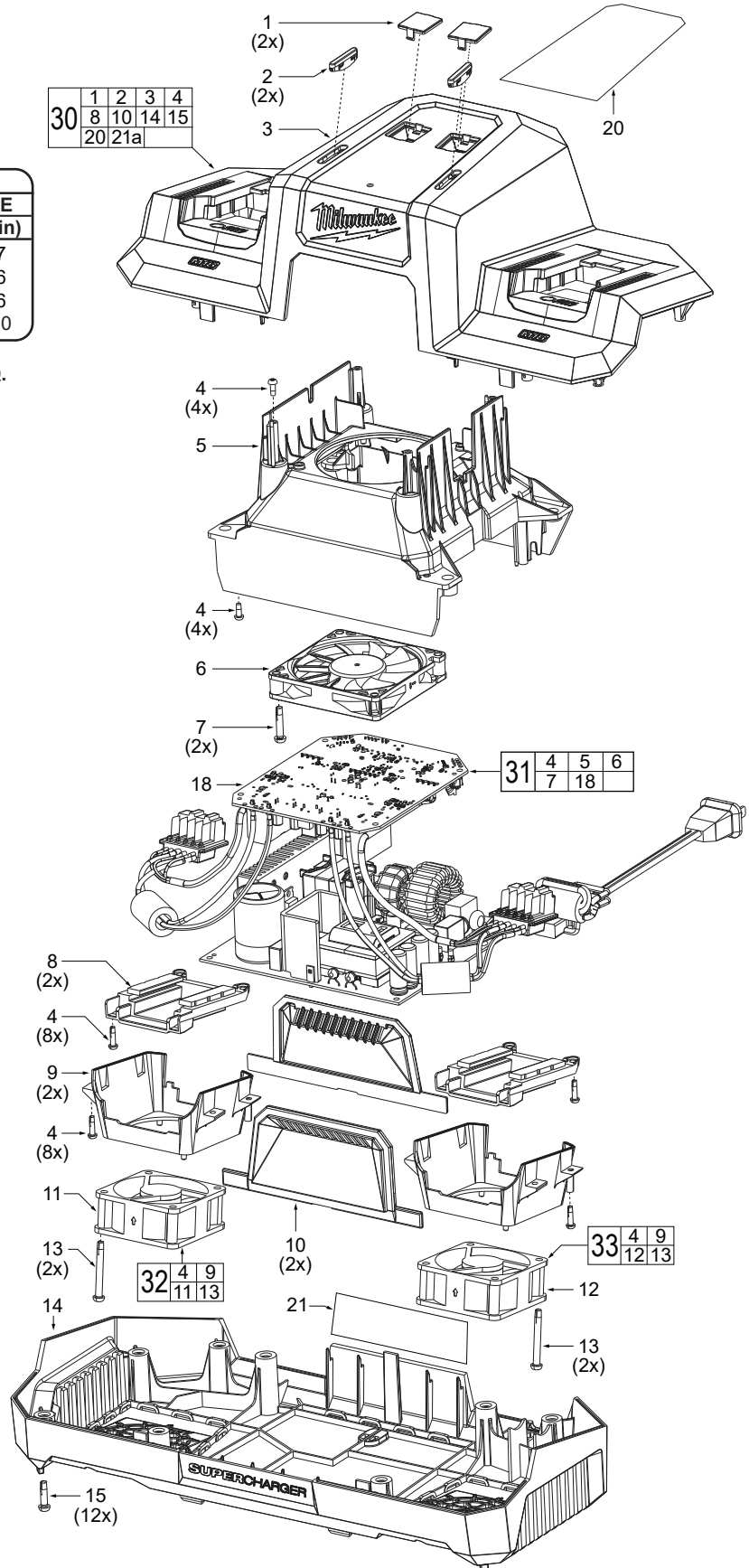
TORQUE SPECIFICATIONS

FIG.	PART NO.	WHERE USED	SEAT TORQUE	
			(kgf-cm)	(lb-in)
4	06-82-1087	PCBA Frame/Interface/Cooling Duct	6-8	5-7
7	06-82-0011	PCBA Cooling Fan Assy.	5-7	4-6
13	05-78-0307	Pack Cooling Fan Assy.	5-7	4-6
15	06-82-4003	Housing	9-11	8-10

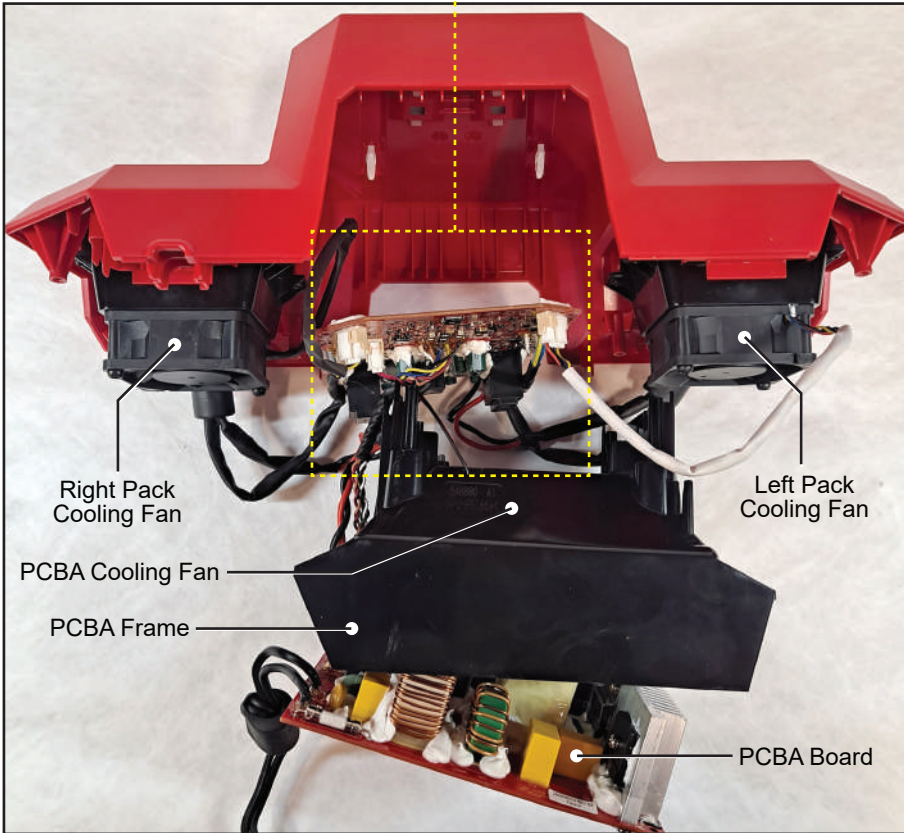
FIG.	PART NO.	DESCRIPTION OF PART	NO. REQ.
1	-----	Charger Indicator Lens	(2)
2	-----	Charger Status Lens	(2)
3	-----	Top Housing	(1)
4	05-81-1195	M3 x 8mm Screw	(24)
5	-----	PCBA Frame	(1)
6	-----	PCBA Cooling Fan Assy.	(1)
7	06-82-0011	M4 x 20mm Screw	(2)
8	-----	Interface Back Plate	(2)
9	-----	Pack Cooling Duct	(2)
10	-----	Side Plate	(2)
11	-----	Left Pack Cooling Fan Assy	(1)
12	-----	Right Pack Cooling Fan Assy	(1)
13	06-82-4002	M4 x 35mm Screw	(4)
14	-----	Bottom Housing	(1)
15	06-82-4003	M4 x 16mm Screw	(12)
18	-----	PCBA Assy.	(1)
20	10-22-0261	UI Label	(1)
21	12-20-0318	Service Nameplate	(1)
30	31-50-0059	Housing Service Kit	(1)
31	14-20-0379	Main PCBA Service Kit	(1)
32	14-46-0351	Left Pack Cooling Fan Service Kit	(1)
33	14-46-0352	Right Pack Cooling Fan Service Kit	(1)

FIG. NOTES

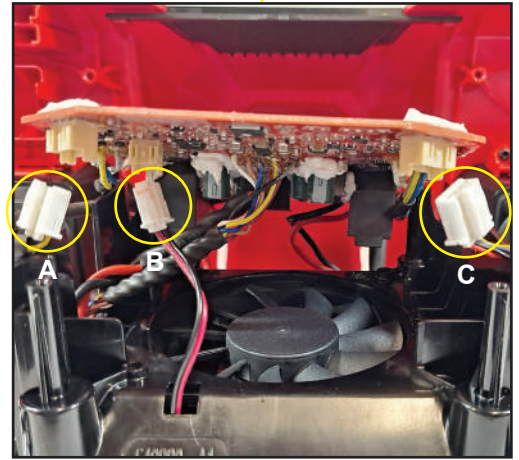
20,21 A clean, dry surface is essential for proper performance for any adhesive system. The area intended for application of any adhesive label or nameplate must be prepared by cleaning with isopropyl alcohol. The solvent is to be applied with a clean, lint free applicator and the surface allowed to dry before applying the label or nameplate.



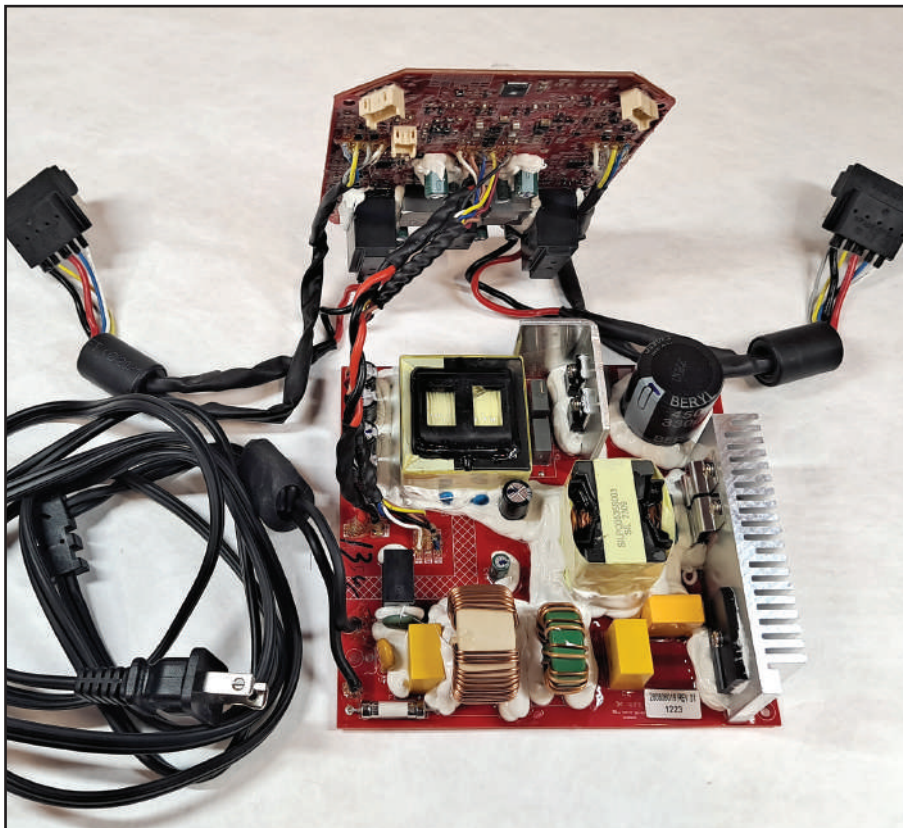
M18 Dual Bay Super Charger Wiring



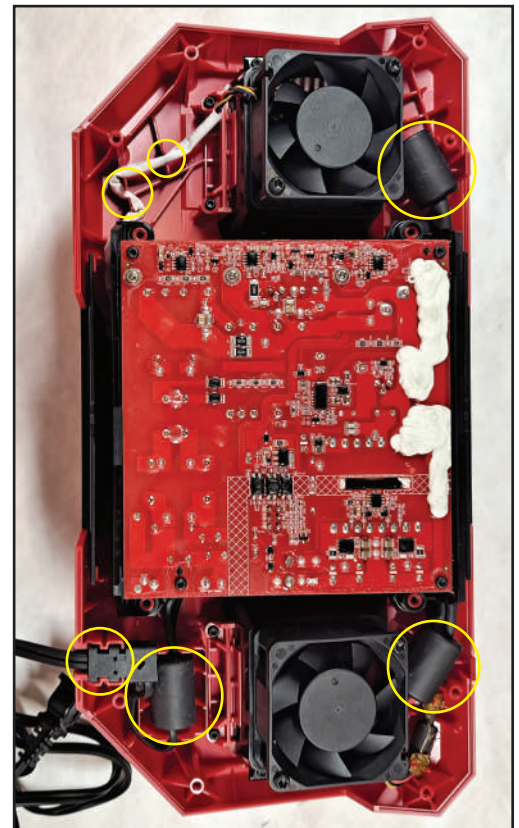
Internal components of charger shown, with screws removed that connect PCBA Assembly to the PCBA Frame.



Detailed view of connectors to PCBA board from A) Right Pack Cooling Fan, B) PCBA Cooling Fan and C) Left Pack Cooling Fan.



PCBA Assembly, which includes power cord, terminal blocks, AC board and DC board.



Before reassembling the bottom housing to the top housing, be sure there are no interferences with wires, and wires are placed within channels as shown above.