



## Assembly Instructions

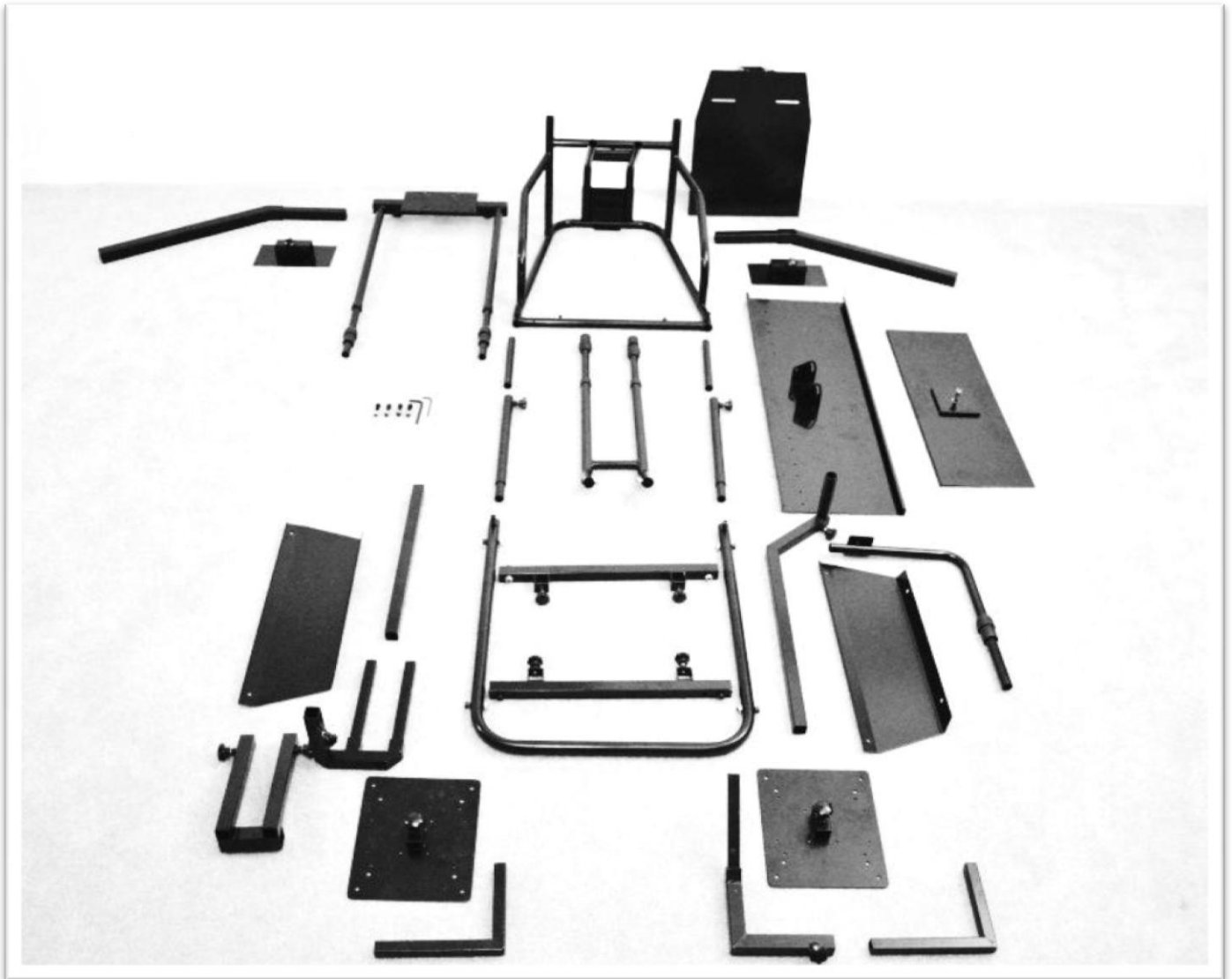


*Version 1.3*




















Thank you for purchasing the Volair Sim™ chassis! We hope that it will give you countless hours of enjoyment. We have designed the Volair Sim™ with maximum ease of assembly but please read carefully the instructions first.

If you have any questions during the assembly, please visit our web-site at [www.volairsim.com](http://www.volairsim.com) or e-mail us at [support@volairsim.com](mailto:support@volairsim.com)

Your Volair Sim™ chassis is shipped in one large shipping box. It is recommended that you find an open space to carefully unpack and inventory everything before beginning assembly. Please refer to the illustration below to verify that you have all of the chassis components and **Table 1** that you have all of the parts. Throughout the process, please refer to the **Installation Drawing** and **Table 1** which reference the parts used during each step. *Note that some of the components may vary slightly from the photos as we continuously improve our products and certain parts may be pre-assembled for your convenience.*

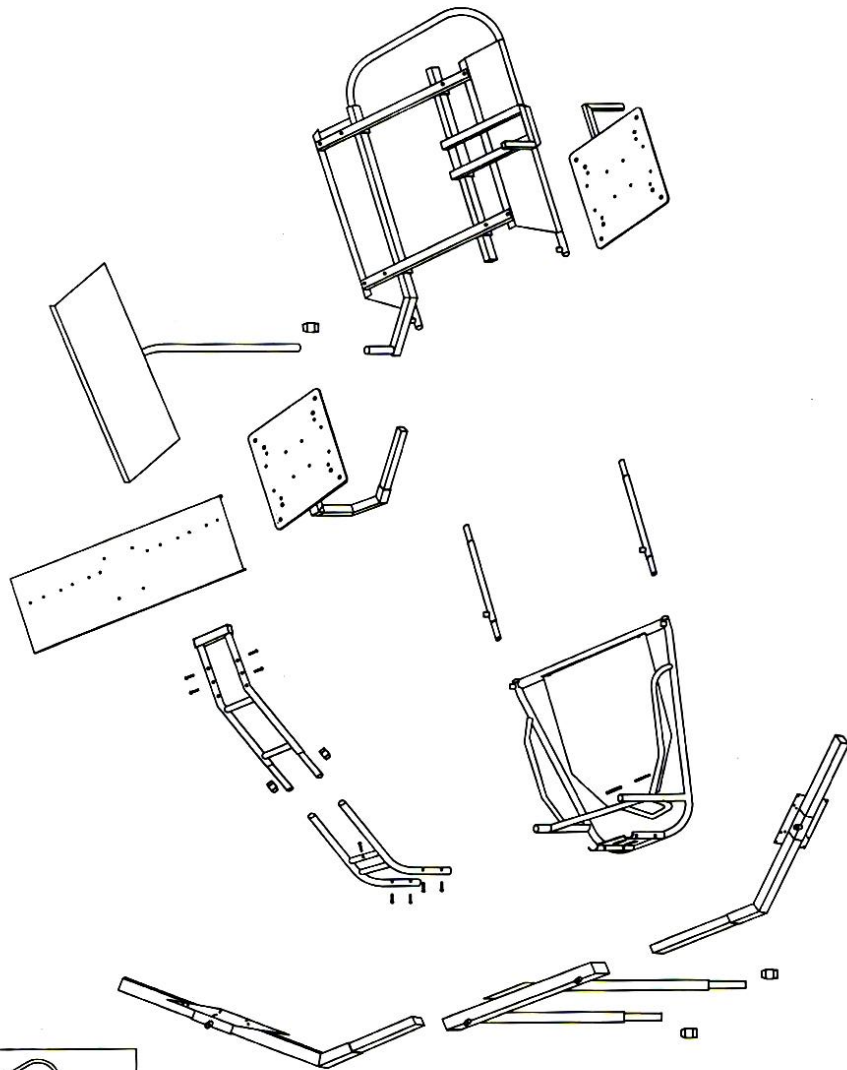
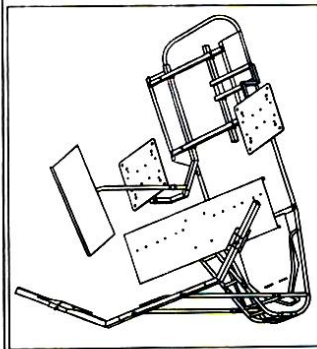


Volair Sim™ Chassis Components

No.	Part Name	Quantity	Photo	No.	Part Name	Quantity	Photo
1	M6*25mm Inner Hexagon Circle Cup Machine Screw	4 pieces (all pre-installed)		11	M8*20mm Inner Hexagon Screw	4 pieces	
2	M6*30mm Inner Hexagon Circle Cup Machine Screw	2 pieces		12	M8 Self-Locking Nut	1 piece	
3	M8*16mm Inner Hexagon Machine Screw	4 pieces		13	Keyboard Tray Plastic Washer	1 piece	
4	M6 Self-Locking Nut	6 pieces		14	Inner Hexagon Wrench M4	1 piece	
5	M8*16mm Knob Plum Handle Machine Screw	12 pieces		15	Inner Hexagon Wrench M6	1 piece	
6	M8*35mm Inner Hexagon Machine Screw	12 pieces		16	Universal Wrench	1 piece	
7	M8*20mm Knob Plum Handle Machine Screw	6 pieces		17	Silicon Grease for Keyboard Tray Swivel	1 bag	
8	M8 Flange Nut	12 pieces		18	Seat Washer Pad	4 pieces	
9	M6*35mm Inner Hexagon Circle Cup Machine Screw	4 pieces		19	Pedal Tray Velcro Strip	2 pieces	
10	M4*10mm Phillips Machine Screw for Monitor Mount	12 pieces					

**Table 1: Volair Sim™ Parts List**

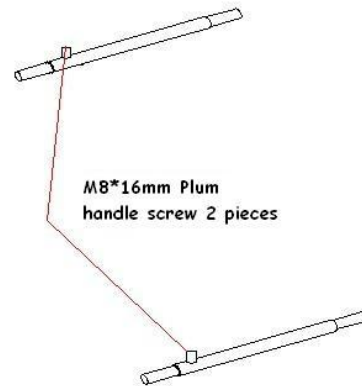
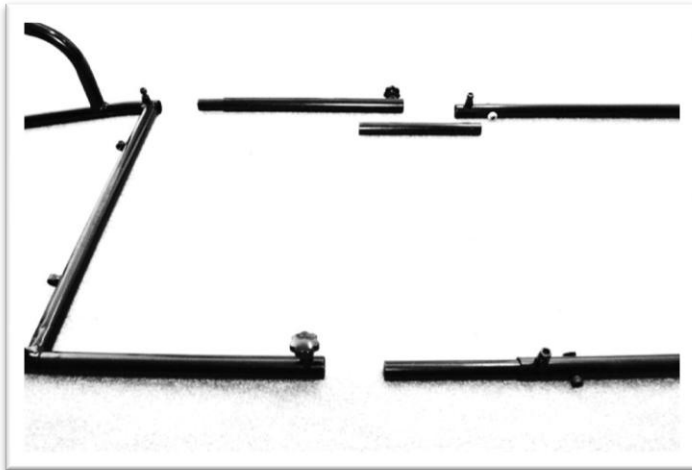
# INSTALLATION DRAWING



### STEP 1:

Begin assembly by connecting monitor base with the seat base using the adjustment tubes. The adjustment tubes allow you to vary the distance between the seat and the monitor for maximum comfort depending on your height. Use two M8\*16mm inner hexagon machine screws (No. 3) and two M8x16mm Plum Handle machine screws (No. 5). Do not tighten the hand knobs all the way at this point so that you can adjust the optimum seat distance later.

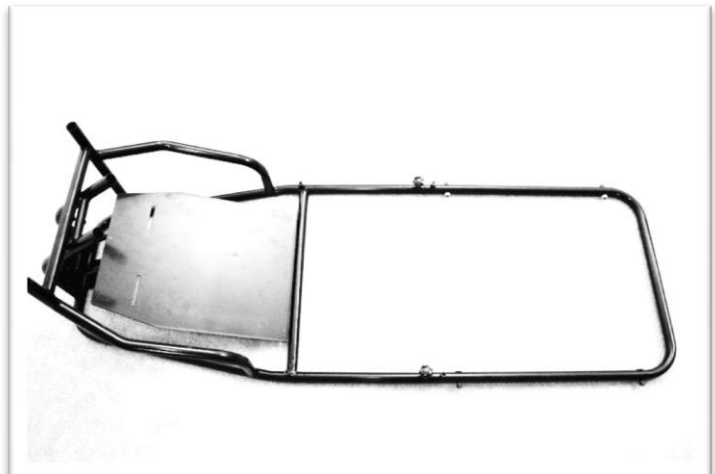
*Tip: Smearing a thin layer of grease on the inner portion of the tubes will allow you to easily slide them during installation and adjustment.*



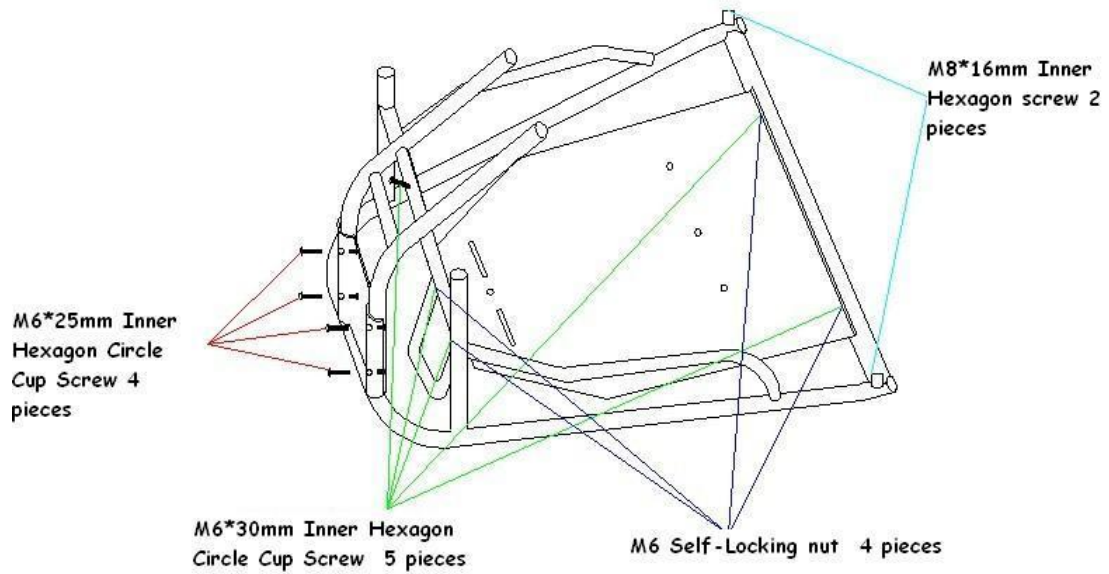
**Figure 1: Connecting the monitor support to seat base**

### STEP 2:

Turn the monitor base and seat support over and attach the pedal tray using two M6x30mm bolts (No. 2) and locknuts (No. 4). See Figure 3 below:



**Figure 2a: Attaching pedal base to monitor base**



**Figure 2b: Monitor base with pedal tray**

**STEP 3:**

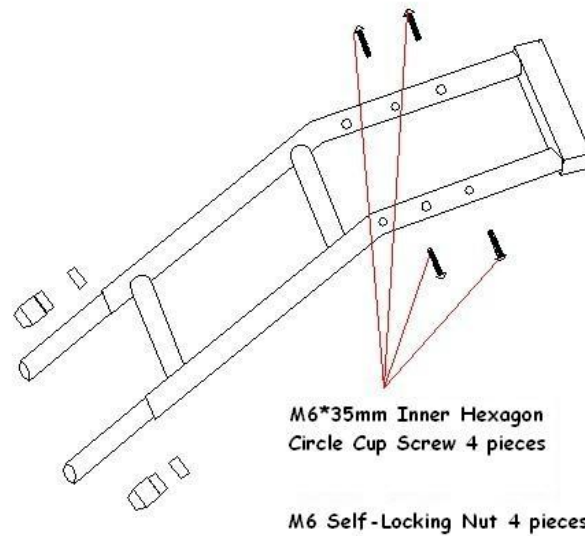
Attach the center monitor support to the monitor base. Do not tighten the plastic adjustment nuts as you will want to adjust the height of the monitor(s) after installation of monitors.



**Figure 3: Attaching center monitor support to monitor base**

**STEP 4:**

Attach the work table to the support tubes with four M6\*35mm Inner Hexagon Circle Cup Machine Screws (No. 9) and four M6 self-locking nuts (No. 4). **Note that there are two positions that the table can be mounted depending whether you want the table closer or farther from the monitors. Take care to make sure that the holes drilled along the edge of the table are facing towards the front of the table.** These holes are drilled to attach the Saitek Pro Flight Yoke, Logitech G25/27 Steering Wheel, Thrustmaster T500RS Steering Wheel, and Saitek Pro Flight Accessories (on left and right sides of the yoke) to the work table.



**Figure 4: Attaching work table to support tubes**

**STEP 5:**

Attach the work table to the monitor base and tighten the adjustment plastic nuts lightly. Later on you will be able to adjust the distance and angle of the work table to suit your preferences.



**Figure 5: Attaching work table to the monitor base**

**STEP 6:**

Attach the seat supports to the seat base using four M8\*35mm Inner Hexagon Machine screws (No. 6) and four M8 Flange Nuts (No. 8).

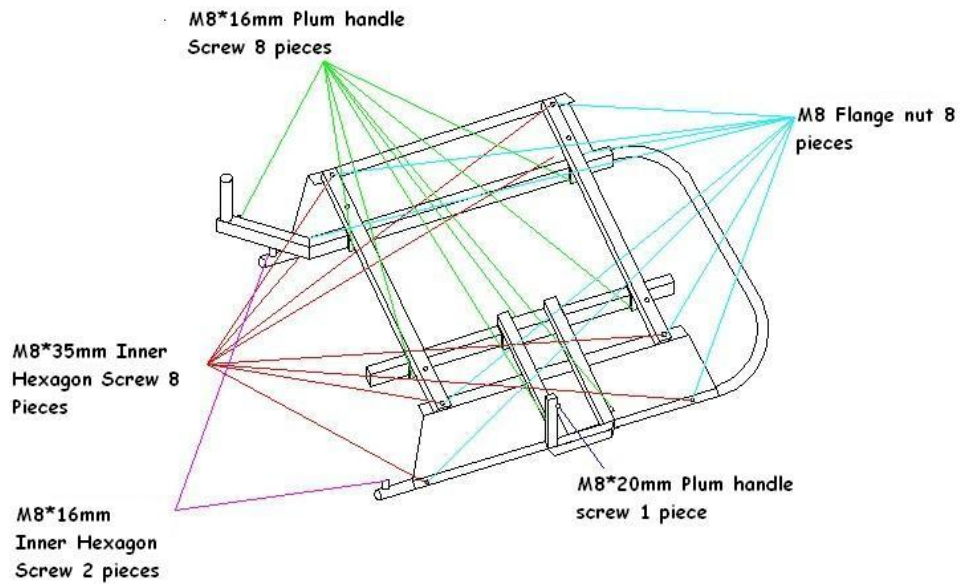


**Figure 6: Attaching seat supports to seat base**



**STEP 7:**

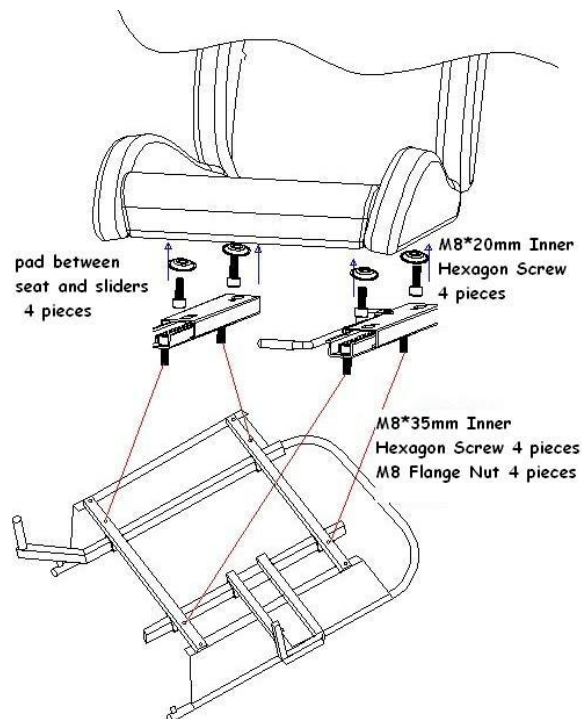
Continue the assembly of the seat base as shown below. Do not tighten the Plum Knob Handles at this point:



**Figure 7: Seat support assembly**

**STEP 8:**

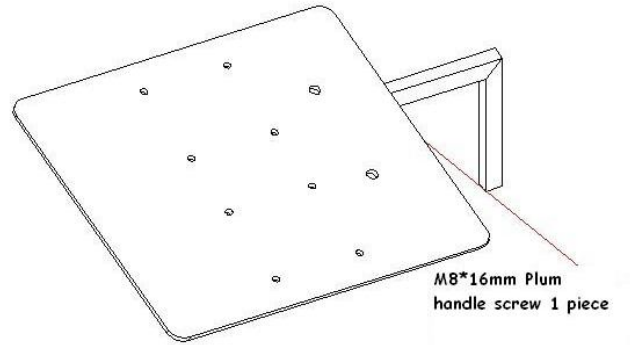
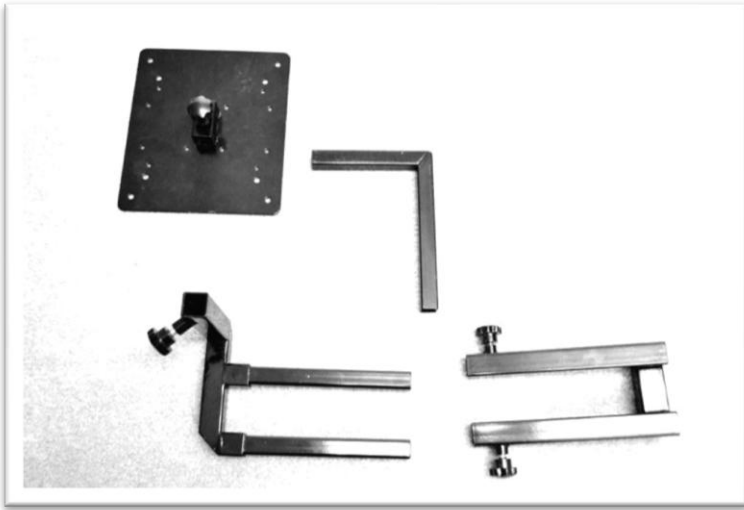
Assemble the seat using the two sliders, the seat pads | spacers as shown below taking care that you place the seat pad between the sliders and the seat. Also note the adjustment handle location:



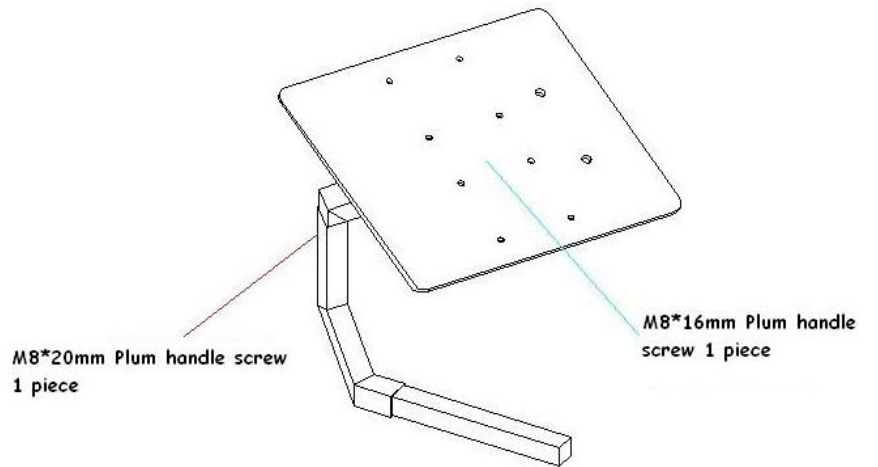
**Figure 8: Attaching seat to seat base**

**Step 9:**

Assemble the left and right throttle quadrant | shifter mounts as shown below:



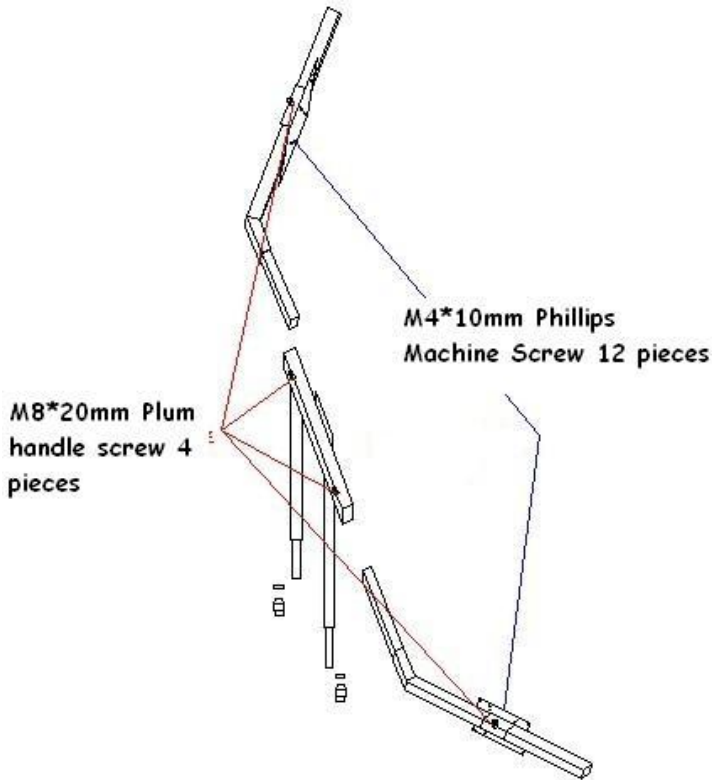
**Figure 9: Left-hand mount**



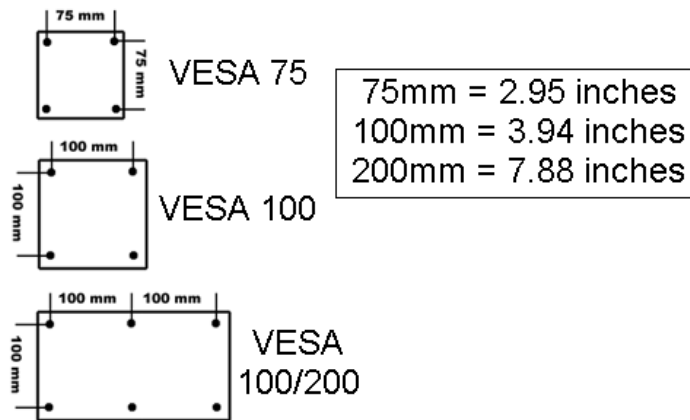
**Figure 9b: Right-hand mount**

**STEP 10 (if using the left and right monitors):**

Assemble the additional monitor mounts as shown below. Use the machine screws supplied with your monitors to attach the center and side monitors or the provided M4\*10mm Phillips Machine Screws (No. 10). The Volair Sim cockpit mounts are pre-drilled with the industry standard VESA bolt patterns for the common monitor bolt pattern sizes (see below). Depending on the size of your monitors, you will be able to adjust the side monitors to create a seamless wrap-around monitor set-up. You can use single monitor up to 42" diagonal or three monitors up to 32" diagonal each.

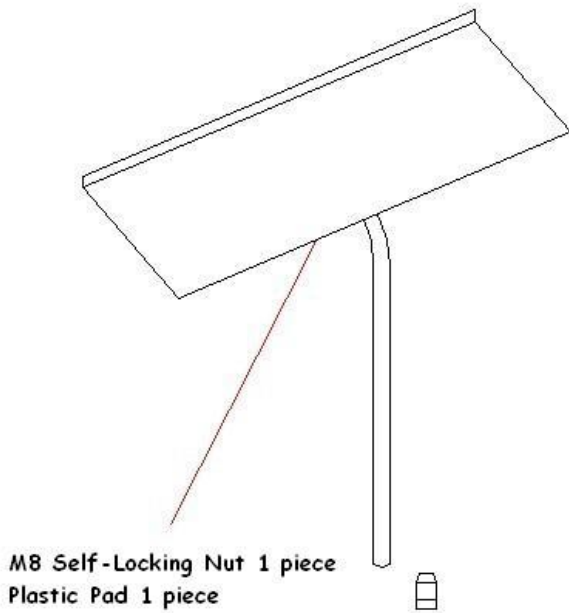


**Figure 10: Triple monitor mount**



**STEP 11:**

Attach the keyboard tray to the keyboard support tube. First, apply some of the enclosed silicon grease between the two sliding parts of the keyboard tray and keyboard support. Then, insert plastic washer (No. 13). Finally, tighten the M8 locknut (No. 12) until it is snug. Do not over-tighten the locknut as you will not be able to rotate the keyboard tray freely.



**Figure 11: Keyboard tray assembly**

## STEP 12: ATTACHING ACCESSORIES

You have two options when attaching accessories to the Volair Sim chassis: (1) permanent installation using the pre-drilled locations or (2) a semi-permanent installation using the clamps provided with the yoke, steering wheel, and associated accessories.

### 1. Yoke | Steering Wheel Installation

The Volair Sim cockpit chassis is pre-drilled to accept the Saitek Pro Flight Yoke, Logitech G25/G27, and Thrustmaster T500RS steering wheels. Use the fasteners provided with your accessories to attach the steering wheel and yoke to the work table. ***Note that in order to mount the Logitech G25/G27 steering wheel, shifter, and pedals using the pre-drilled locations, you will need eight (8) M6x1 machine screws (2 for the wheel, 2 for the shifter, and 4 for the pedals). You can purchase these at any hardware store.***

### 2. Throttle Quadrant | Trim Wheel | Gear Shifter

Volair Sim features pre-drilled locations for the Saitek Throttle Quadrant(s) and the Thrustmaster HOTAS Warthog. You can mount several quadrants for twin or multi-engine set-up, Saitek Trim Wheel, or the Logitech G27 gear shifter for either left or right-hand drive.

### 3. Rudder Pedals | Racing Pedals

The pedal base accepts a wide variety of rudder pedals such as: CH Products Pro Pedals, and Saitek. The pedal base has pre-drilled holes for the Logitech G25/G27, Fanatec Clubsport, and Thrustmaster T500RS pedals but you can mount any rudder and racing pedals with the provided Velcro strips. Just attach one strip to the bottom of the pedal base and the second strip to the pedals or rudder set and you will have a very secure installation.

### 4. Flight Simulation Accessories

For flight simulation Volair Sim has pre-drilled mounting locations for all Saitek Pro Flight accessories including the Radio Panel, the Multi Panel, the BIP, Switch Panel, and the Instrument Panel(s). Just use the machine screws provided with the Saitek accessories and attach the accessories on either left or right side of the yoke as desired.

