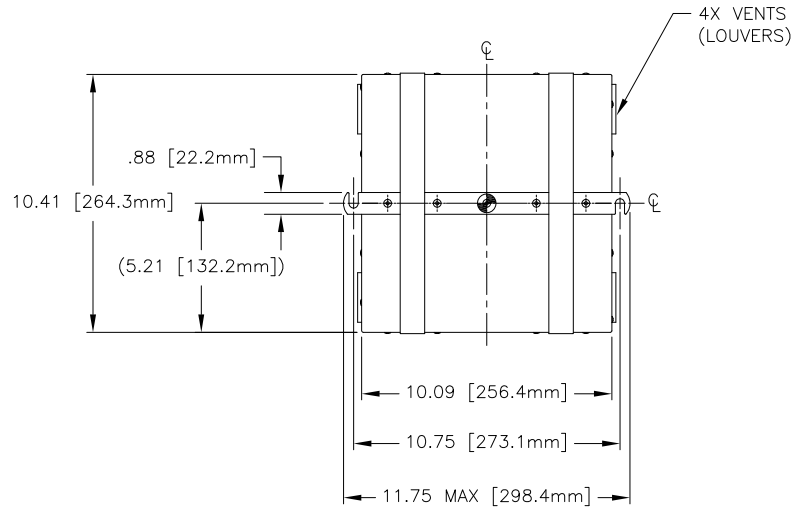


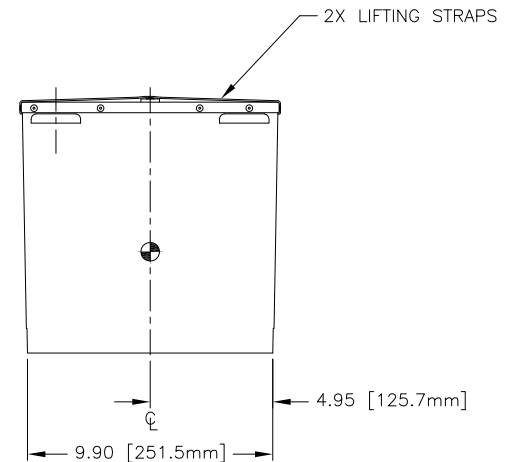
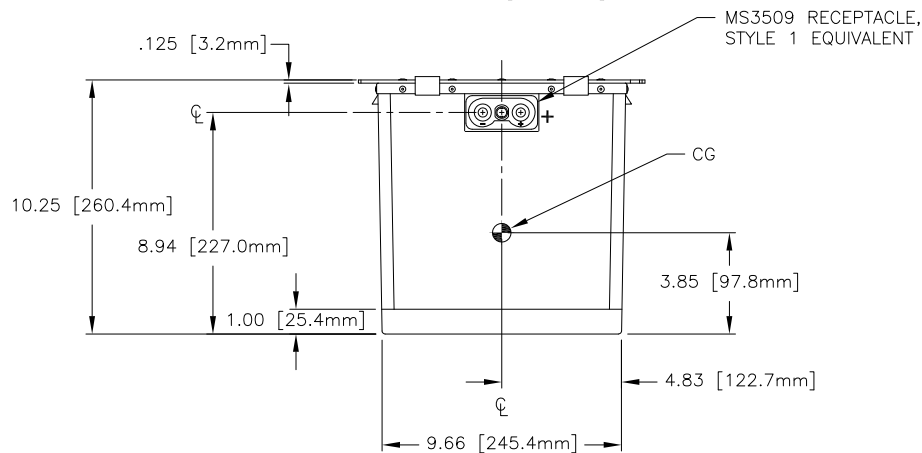
NOTES: UNLESS OTHERWISE SPECIFIED

1. MANUFACTURED AND INSPECTED IAW AS9100 QUALITY SYSTEM REQUIREMENTS.
2. ABBREVIATION USED IN TITLE IS: VALVE REGULATED SEALED LEAD ACID (VRSLA).
3. "K" SUFFIX DENOTES A "FIRE RESISTANT" EXTERNAL CONTAINER CONSTRUCTED OF 5052 ALUMINUM ALLOY. "KS" SUFFIX DENOTES A "FIRE PROOF" EXTERNAL CONTAINER CONSTRUCTED OF STAINLESS STEEL.
4. SEE DRAWING NUMBER CB-00218 AND PROCEDURE P-1000 FOR ASSEMBLY AND TEST INSTRUCTIONS. PROCEDURES AND ASSEMBLY DRAWINGS ARE FOR INTERNAL USE ONLY.
5. BATTERIES ARE RATED IAW INTERNATIONAL ELECTROTECHNICAL COMMISSION STANDARD 60952-1 AND RTCA STANDARD DO-293A, UNLESS OTHERWISE NOTED.
6. DIMENSIONS ARE INCH [MILLIMETER].

REVISIONS			
REV	DESCRIPTION	DATE	APPROVED
A	UPDATED POWER RATINGS AND WEIGHT, DO-293A WAS DO-293	3/21/14	JBT



PART NUMBER	RG-380E/53K	RG-380E/53KS
MAXIMUM WEIGHT	96.0 LBS [43.6 KG]	98.0 LBS [44.5 KG]
RATED CAPACITY, C <sub>1</sub>	53 AH	
POWER RATING AT 23°C	Ipp 1650, Ipr 1200	
POWER RATING AT -18°C	Ipp 1325, Ipr 1000	
POWER RATING AT -30°C	Ipp 1125, Ipr 800	



ENVELOPE DRAWING

QTY	REQD	CAGE CODE	PART OR IDENTIFYING NO.	NOMENCLATURE OR DESCRIPTION	MATERIAL SPECIFICATION	ITEM NO.
PARTS LIST						
UNLESS OTHERWISE SPECIFIED DIMENSIONS ARE IN INCHES TOLERANCES ARE:			CONTRACT NO.		CONCORDE BATTERY CORPORATION 2009 SAN BERNARDINO RD, W. COVINA, CA 91790	
FRACTIONS	DECIMALS	ANGLES	APPROVALS	DATE	TITLE BATTERY, VRSLA, 24 VOLT, RG-380E/53K(S) SERIES	
± 1/32	.XX ± .06 ± 1'	.XXX ± .030	DRAWN M. AULBACH	9/13/11	SIZE C	CAGE CODE 63017
TREATMENT	NONE	CHECKED NS	9/22/11	DATE	DWG NO.	REV
FINISH	NONE	APPROVED JBT	9/28/11	DATE	RG-380E/53K	A
SIMILAR TO	ACT WT	CALC WT	ISSUED AT	3/21/14	SCALE NONE	SHEET 1 OF 1