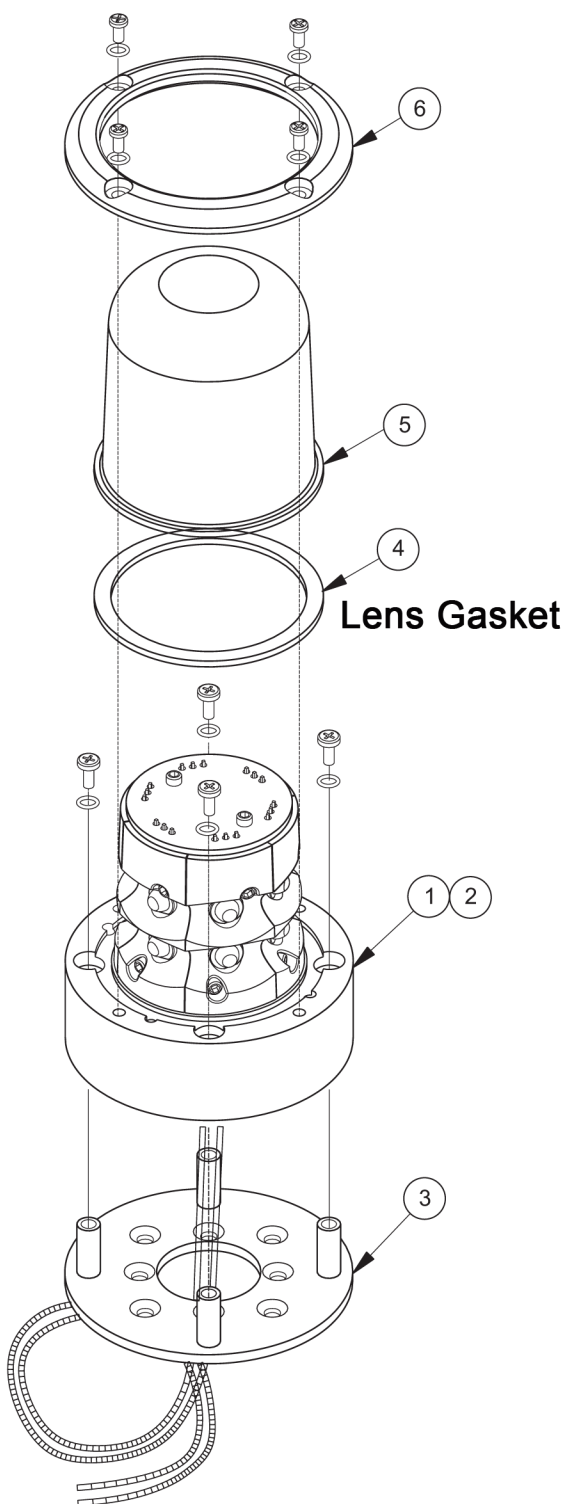


# MODEL 71055 Series LED Beacon Anti-Collision Light Assembly



**FIGURE 14**

Item	Whelen P/N	Model No.	Description
1	01-0271057-00	7105700	LED Module, 6 Sided (14V), used on 71057
2	01-0271057-01	7105701	LED Module, 6 Sided (28V), used on 71057
3	07-771051-100	71051100	Adapter Plate Model 71055 Series, 4 Hole
4	38-0250885-00	5088500	Gasket, Lens Model 71055 Series
5	68-4971046-30	7104630	Lens, Clear Model 71055 Series
6	19-171047-100	71047100	Lens Retainer, used on 71055