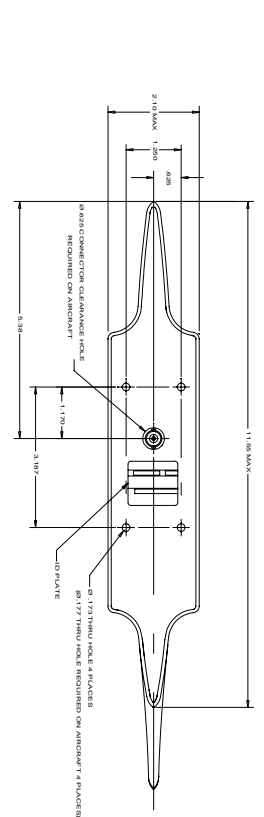
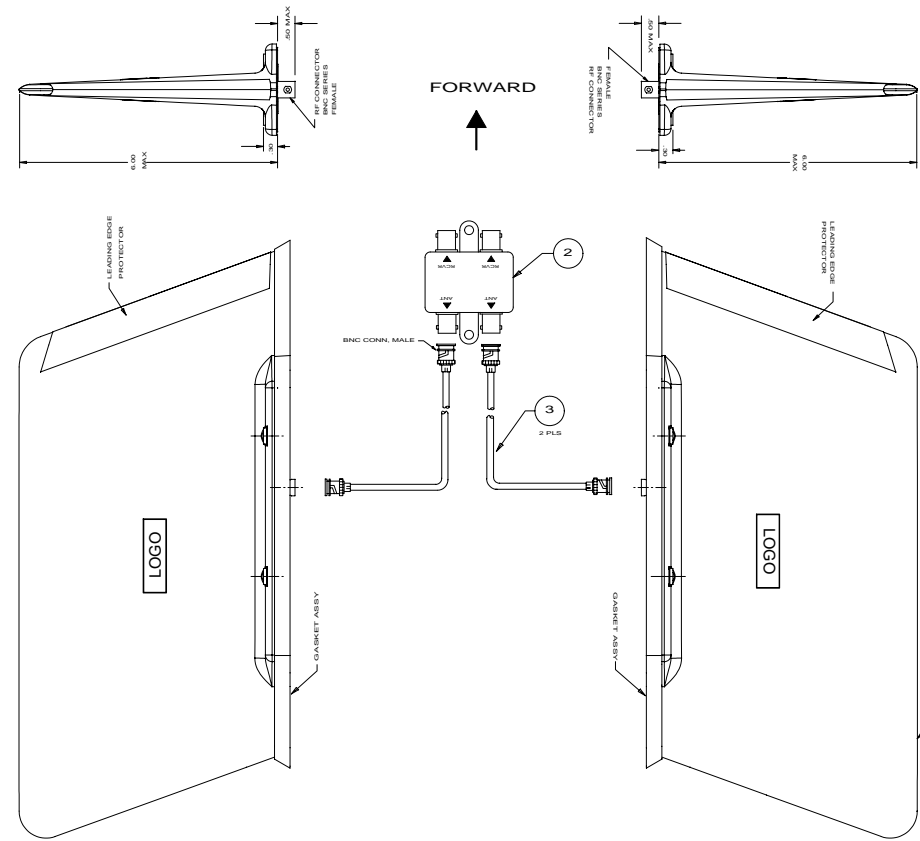


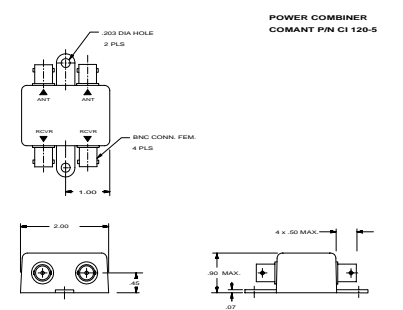
REVISIONS			
LTR	DESCRIPTION	DATE	APPROVAL
C	REDRAWN, REF ECN 03-158	07/08/03	DJH 07/08/03
D	RE ECN 08-085	11/14/08	DH 11/14/08



ANTENNA FOOTPRINT WITHOUT GASKET



- NOTES:
- RF CHARACTERISTICS:
    - VOR/LOC AND G/S
    - 1.1 FREQUENCY: 108-118 MHz 320-335 MHz
    - 1.2 VSWR: 6.0:1 MAX 5.0:1 MAX
    - RETURN LOSS: -2.92 dB -3.52 dB
    - (WHEN TESTED IN THE COMPLETE ANTENNA SYSTEM).
    - 1.3 IMPEDANCE: 50 OHMS NOMINAL
    - 1.4 POLARIZATION: HORIZONTAL
  - AIRSPPEED RATING: 600 KNOTS T.A.S @ 25,000 FT
  - TSO C34a, C36a, C40c RTCA DO-160D  
ENV. CAT.: [F2]X[AC][E(1,P)]X[RFDX]XXXXXX[X][XXXX]XCX.
  - SYSTEM WEIGHT: 3.00 LBS. MAX.
  - FINISH: WHITE POLYURETHANE PAINT, NON YELLOWING
- △ APPLY ON THE SYSTEM.



QTY	ITEM NO.	PART NO.	DESCRIPTION	MATERIAL / SPECIFICATIONS
1	5	B120180-1	ANTENNA SYSTEM LABEL	△
1	4	A12038	INSTALLATION INSTRUCTIONS	INCLUDED
2	3	CI 120-2	CABLE ASSY	
1	2	CI 120-5	POWER COMBINER	
2	1	CI 120-1-L	ANTENNA-BLADE	

LIST OF MATERIALS			
UNLESS OTHERWISE SPECIFIED		CONTRACT NO. CESSNA	
DIMENSIONS ARE IN INCHES		DATE JULY 08-03	
TOLERANCES ON		TITLE	
FRACTIONS & DECIMALS		ANTENNA SYSTEM-VOR/LOC/GS	
MATERIALS SHALL BE TO THE STANDARD SPECIFICATIONS OF THE AMERICAN SOCIETY OF MECHANICAL ENGINEERS (ASME) UNLESS OTHERWISE SPECIFIED		DESIGNER H. Nguyen	07/08/03
		CHECKER J. Gomez	07/08/03
		ENGR D.J. Holloway	07/08/03
		SC P. Borsnanu	07/08/03
		APPD D.J. Holloway	07/08/03
MATERIAL		CODE IDENT D 51351	DWG. NO. CI 120-200G/S-L
APPLICATION		SCALE: NONE	WT.
		SHT 1 OF 1	

CI 120-200G/S-L | D1