

NOTES:

- DESCRIPTION, PRESSURE SENDER:
  - TYPE: DIAPHRAGM, THICK FILM RHEOSTAT
  - VOLTAGE: 12V, D.C. ELECTRICAL SYSTEM
  - WEIGHT: 5.5 OUNCES (156g)
- MATERIALS AND FINISHES:
  - COVER: STEEL, ZINC DICHROMATE
  - FLANGE AND STUD ASSM: STEEL, BRIGHT ZINC
  - TERMINAL STUD: BRASS, WHITE NICKEL
  - HEX NUT: BRASS
  - LOCKWASHER: PHOSPHOR BRONZE
  - FLAT WASHER: BRASS

3. IDENTIFICATION:

- SENDER WILL BE STAMPED WITH THE FOLLOWING INFORMATION:
  - S.W. MODEL NUMBER 411-AB
  - DATE OF ASSEMBLY PER S.W. SPEC PS10-1
  - 16 PSI, 12V
- ALL IN .06 (1.5) HIGH DEPRESSED CHARACTERS.

4. APPLICATION SPECIFICATIONS:

- MOUNTING POSITION: ANY ORIENTATION PERMISSIBLE
- AMBIENT TEMPERATURE RANGE:
  - OPERATING: -40 deg F THRU 300 deg F  
[-40 deg C THRU 149 deg C]
  - STORAGE: -40 deg F THRU 300 deg F  
[-40 deg C THRU 149 deg C]

5. ACCURACY CHECK:

THE SENDER SHALL MEET THE FOLLOWING RESISTANCE VERSUS PRESSURE SPECIFICATION WITH LIGHT PHYSICAL TAPPING OF THE SENDER.

PRESSURE	RESISTANCE (NOMINAL)	LIMITS
0 PSI (0 kPa) DESCENDING PRESS	240 ohms	229.5-242.5 ohms
16 PSI (110.32) ASCENDING PRESS	33.5 ohms	26.0-44.0 ohms

6. THE INLET FITTING SHALL BE CAPABLE OF WITHSTANDING A MINIMUM TORQUE OF 20 ft/lbs (27.1 N-m) WITHOUT DAMAGE.

7. THE SENDER INPUT TERMINAL SHALL BE CAPABLE OF WITHSTANDING A SIDE PULL OF 10 lbs (4.536 Kg) WITHOUT DAMAGE WHEN APPLIED PERPENDICULAR TO STUD, MIDWAY UP THE STUD. RECOMMENDED TORQUE TO TIGHTEN TERMINAL NUT IS 20 INCH-POUNDS, MAXIMUM.

8. COVER ROTATION DOES NOT DAMAGE ELECTRICAL CONNECTIONS.

ENGINEERING SPECIFICATIONS FOR  
411 SERIES PRESSURE SENDER  
16 PSI - 240 ohms - 12 volts

PS10-1 DATE CODE SPEC

EPS ENG PRODUCT SPEC.

OTHER APPLICABLE SPECIFICATION AND DOCUMENTS

DRAWN G-E-F DATE 8-28-90

CHECKED *YCN* SCALE 1-1

APPROVAL *JDO* APPROVAL

CUSTOMER MKTG. SALES

P/N 82504



DIMENSIONS ARE IN INCHES  
METRIC EQUIVALENTS ARE SHOWN  
IN [ ] WHERE REQUIRED.  
DIMENSIONS SHOWN WITH LIMITS  
ARE FUNCTIONAL.  
DIMENSIONS SHOWN WITHOUT  
LIMITS ARE FOR REFERENCE ONLY.

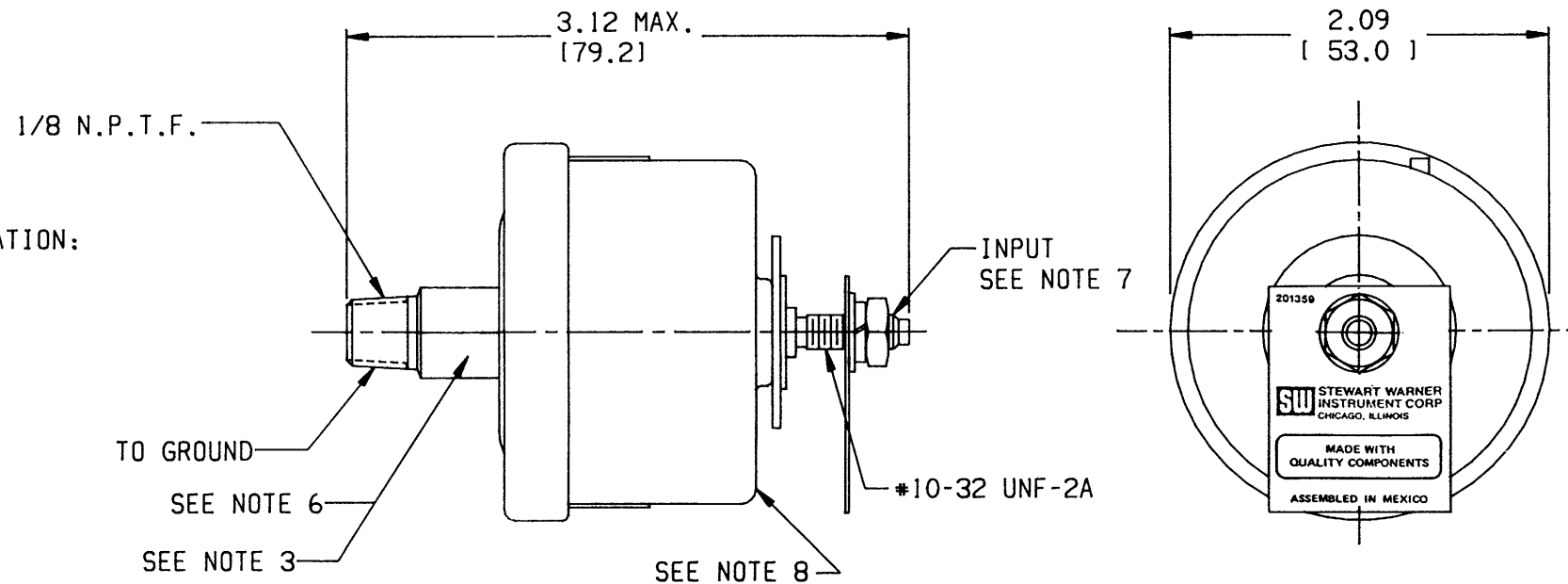
ES 411-AB

LET REVISIONS DATE CHANGE NUMBER

LET	REVISIONS	DATE	CHANGE NUMBER
A	ADD RESISTANCE CHART	11-9-90	166470

930628 IN ACCURACY CHART  
26.0-44.0 OHMS 240.4  
WAS 27.0-43.0

B CHG. NOTE #2 5-20 96011  
COVER MATERIAL -96



NOMINAL RESISTANCE vs PRESSURE

