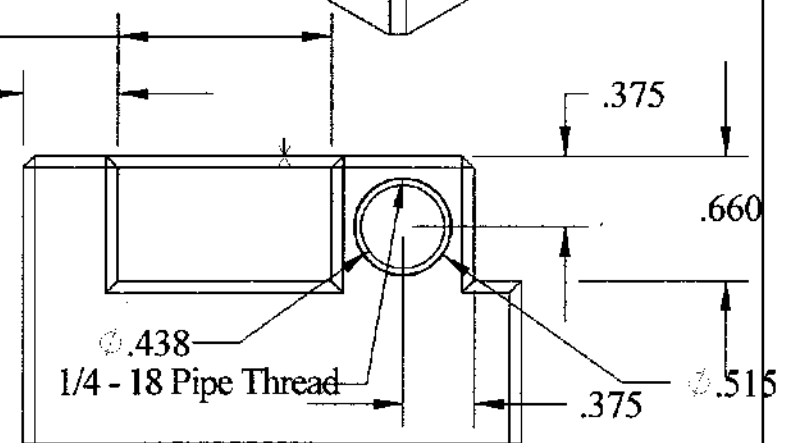
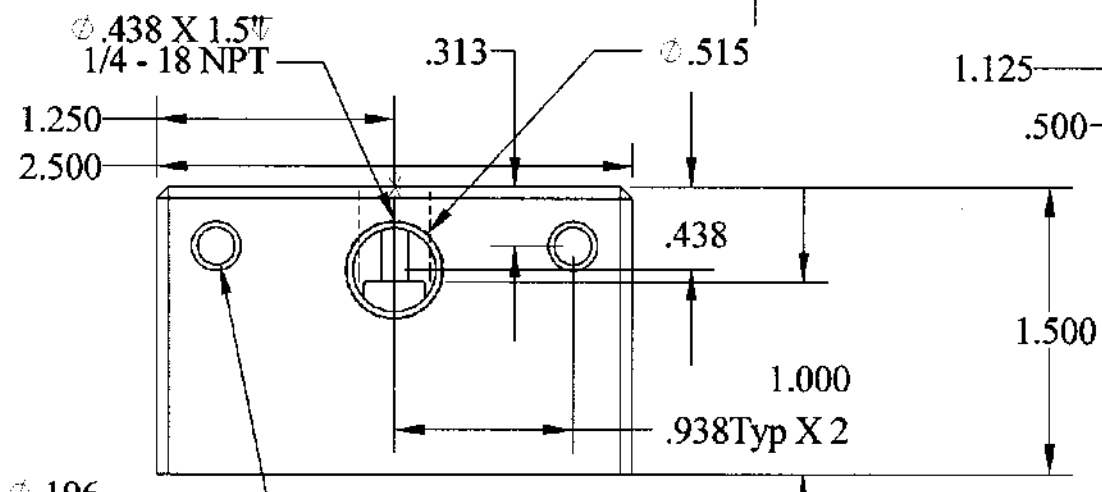
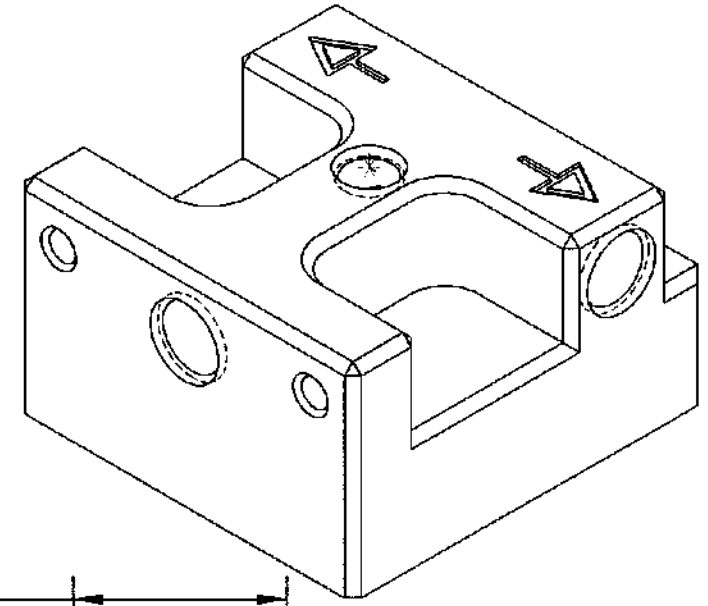


REVISIONS		DATE	APPROVED
ZONE	REV.	DESCRIPTION	
	A	Rough Draft	BS



ϕ .196
 \times .250 X 60
 Typ. X 2

DIMENSIONS ARE IN INCHES
 TOLERANCES: Unless Otherwise Specified
 FRACTIONAL $\pm 1/64$ "
 ANGULAR: MACH .5 BEND ± 1.0
 TWO PLACE DECIMAL $\pm .01$ "
 THREE PLACE DECIMAL $\pm .005$ "

MATERIAL 6061 T6 Aluminum -
 FINISH Anodize R5 Blue -
 DO NOT SCALE DRAWING

NAME	DATE
DRAWN	BS 03/24/03
CHECKED	
ENG APPR.	
MFG APPR.	
Q.A.	

Usher Enterprises Inc.
 "HIGH SPEED AND AVIATION SPECIALISTS"

Top5
GAS 5 TOP

SIZE ADWG. NC004-001-003 R5 REV. A
 SCALE: 1:1 SHEET 1 OF 2

PROPRIETARY AND CONFIDENTIAL
 THE INFORMATION CONTAINED IN THIS
 DRAWING IS THE SOLE PROPERTY OF
 Usher Enterprises Inc. ANY
 REPRODUCTION IN PART OR AS A WHOLE
 WITHOUT THE WRITTEN PERMISSION OF
 Usher Enterprises Inc. IS PROHIBITED.