

**Diagram D**  
Proper wiring of the VDO Ammeter

Merchandise warranted against defects in factory workmanship and materials for a period of 24 months after purchase. This warranty applies to the first retail purchaser and covers only those products exposed to normal use or service. Provisions of this warranty shall not apply to a VDO product used for a purpose for which it is not designed, or which has been altered in any way that would be detrimental to the performance or life of the product, or misapplication, misuse, negligence or accident. On any VDO part or VDO product found to be defective after examination by manufacturer, manufacturer will only repair or replace the merchandise through the original selling dealer. Manufacturer assumes no responsibility for diagnosis, removal and/or installation labor, loss of vehicle use, loss of time, inconvenience or any other consequential expenses. The warranties herein are in lieu of any other expressed or implied warranties, including any implied warranty of merchantability of fitness, and any other obligation on the part of manufacturer, or selling dealer.

(NOTE: This is a "Limited Warranty" as defined by the Magnuson-Moss Warranty Act of 1975.)

## 1 BEGIN HERE

**CAUTION:** Read these instructions thoroughly before making installation. Do not deviate from assembly or wiring instructions. Always disconnect battery ground before making any electrical connections. If in doubt, please contact your dealer or VDO at 1-800-265-1818.

### Ammeter Installation:

*Note: We recommend this instrument be installed by a trained professional.*

1. Select the location where you will mount the gauge, and mark a center point.

### CAUTION!!!

The bezel diameter is only a few millimeters larger than the gauge itself. **With that in mind, measure and precisely mark the gauge location before cutting any holes!**

### Tools and Materials Needed For Installation:

- 10 Gauge stranded, insulated wire
- Ring terminals
- Non-insulated 1/4" spade connectors
- 2 1/16" hole saw
- Drill and drill bit set
- Half-round file
- Tape measure or ruler
- Small tools: wrench or nut driver, utility knife, pliers, etc.

2. Cut a 2 1/16" (52 mm) diameter hole for the gauge. Make sure the hole is no larger than 2 1/16" (52 mm). If the gauge is too snug, use a file to slightly enlarge the opening. (Diagram A)

3. Slip the mounting bracket over the mounting bolts on the back of the gauge. Screw on the accompanying nuts. Tighten the nuts until the ammeter can no longer be rotated by hand. (Diagram B)

**DO NOT OVERTIGHTEN.**

### Wiring the Ammeter:

1. Run a series of wires from the ammeter location through the firewall to:

- a) the positive (+) terminal on the alternator;
- b) the positive (+) terminal on the starter;

[text continues at #2] →

### Parts List

Item	Description	Quantity
1.	Ammeter (2 1/16" [52 mm] diameter)	1
2.	Lamp Socket (Push in, wedge-type)	1
3.	Light Bulb (12-volt / G.E. #158 or equivalent)	1
4.	VDO Mounting Bracket and nuts (2)	1
5.	Installation Instructions	1

**VDO**

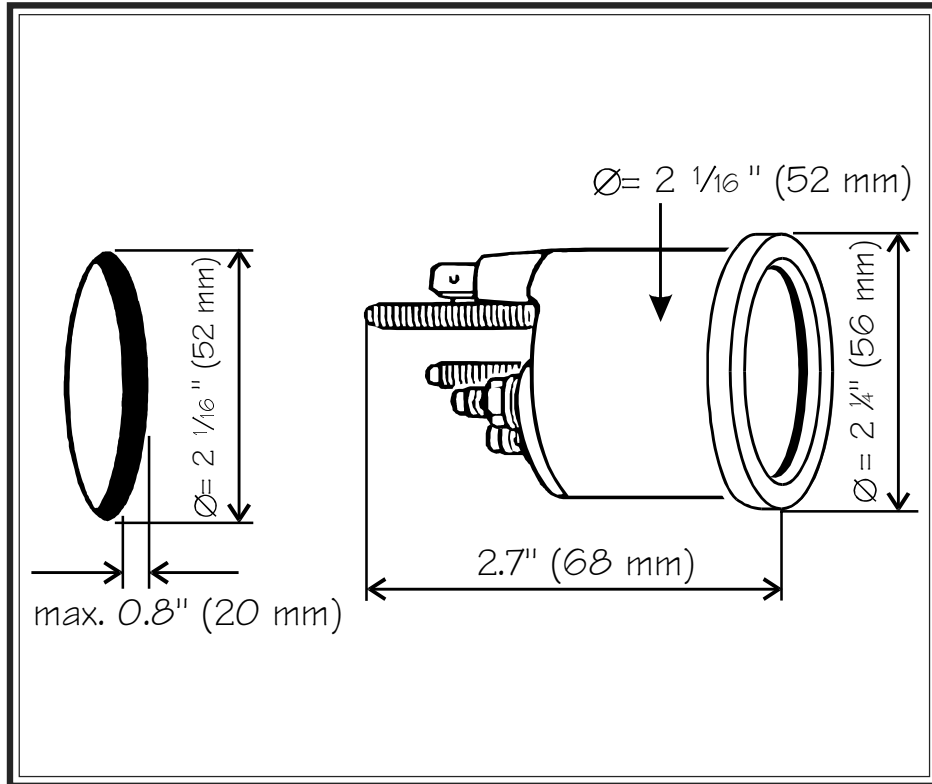
**Ammeter**

**Installation Instructions**

Instruction Sheet #0 515 012 154  
Rev. 10/09

INSTRUCTIONS FOR THE INSTALLATION OF THE AMMETER ARE CONTAINED HEREIN. USE IS RESTRICTED TO 12-VOLT NEGATIVE GROUND ELECTRICAL SYSTEMS. LIGHT BULB, IF SUPPLIED, IS 12 VOLT.

To Begin, go to #1



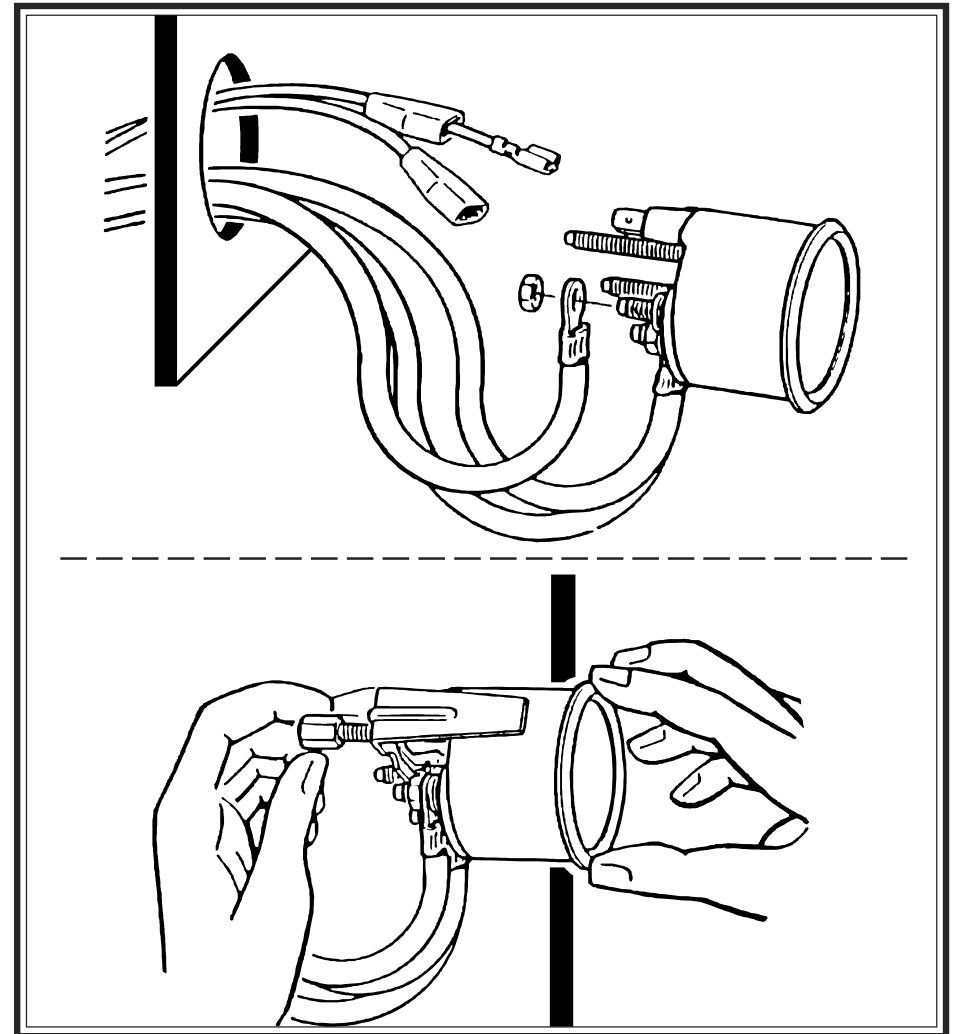
**Diagram A**  
Gauge dimensions

## 2 CONTINUE HERE

- c) the positive (+) terminal on the ignition switch.
2. Connect the wires from the alternator, starter and ignition to the terminals on the back of the ammeter as shown in Diagram C.

3. Connect the wire from the light switch (after the fuse box) and from a ground location to the ammeter light switch terminals, also as shown in Diagram C.

At this point, the installation and wiring of your ammeter is complete. Turn on the ignition and start the engine to be sure the ammeter is working properly. If it isn't, re-check your wiring.



**Diagram B**  
Proper mounting of the VDO Ammeter